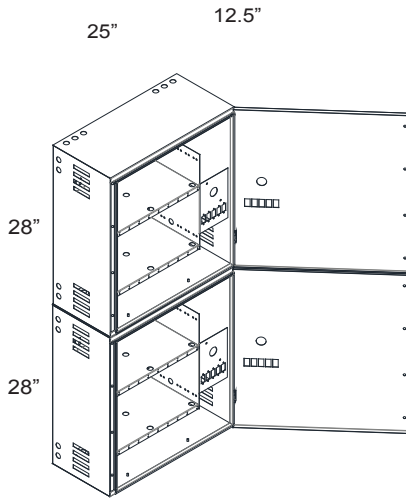


Central Emergency Power System Model CEPS-A-4000W-VOLT

CEPS-A-4000W



UL924 LISTED
EMERGENCY LIGHTING
EQUIPMENT
73PK

Note: Panels may also be stacked horizontally instead of vertically.

Applications

Food Services	Factories
Schools	Utilities
Parking Garages	Oil/Gas Services
Healthcare	Railway Stations
Warehouses	Tunnels/Bridges

Safety & Protection

Safe, momentary overload:

- Up to double rated load for safe operation when using high inrush loads.
- Self resetting overload protection

Status LED Indicators

- 120/277 VAC Utility Power On
- 120/277 VAC Inverter On
- Test Switch

Input: 120VAC or 277VAC (specify)

Output: 120VAC or 277VAC (specify)

Load: 4000W (90 minutes) - top cabinet supplies up to 2000W through 3 20A breakers. Bottom cabinet supplies up to 2000W through 3 20A breakers

Safeguards & Special Features

- Self-resetting overload protection
20A High Inrush Magnetic Breaker
- 120 or 277VAC VAC Pure Sine Wave Output
6000W load for 90 minutes
- Automatic Output Voltage Tracking maintains output voltage at full load $\pm 5\%$
- Operates fluorescents, dimmable fluorescent ballasts, CFL, LED, halogen & incandescent loads.
- Distortion (THD): Less than $\pm 5\%$
- EMI in compliance with FCC Class A Regulation
- Test switch to simulate utility power loss.
- Normal Operation Efficiency: 99% at Full Load
- Sealed Lead Calcium batteries provide long life and are maintenance free.
- 3/6 Warranty (3 year replacement warranty on electronics, 6 year pro-rata warranty on batteries)
- Small footprint: 25" (W) x 56" (H) x 12.5" (D)
- Thermostat Controlled Silent Cooling Fan
- Load Power Factor: 0.9 leading to 0.9 lagging
- 1.5 seconds transfer time to protect against momentary ON/OFF voltage surges caused by power line hitting wet pavement or other power lines during a storm.
- Operating Temperature: 40°F to 100°F
- Frequency Regulation: $\pm 5\%$
- 100W Input Power Consumption when batteries are fully charged.
- Automatic low voltage battery disconnect, deep discharge protection, over-temperature shut down, and reverse polarity protection.
- Automatic Emergency Fixture Diagnostics when used with EPC-(A)-1 to eliminate monthly test of emergency fixtures.
- GFCI Protection for 120V models



LVS, Inc. 2555 Nicholson Street, San Leandro, CA 94577-4216
Phone: 510-352-9600 1-800-982-4587 Fax: 510-352-6707

www.lvscontrols.com