



## CEPS C Series

Emergency Lighting Inverter

Single Phase Systems  
1.5KVA/KW to 16.7KVA/KW



### STANDARD FEATURES

- UL924 Listed
- 90 Minute Run Time
- High Efficiency Systems
- Microcontroller 2 X 20 -Character Display With Touch Pad Controls & Functions
- RS-232 Port (DB9) For Communications
- Pure Sine Wave
- 5 LED Indicators & Alarm With Status Indicator
- Freestanding NEMA Type 1 Cabinet

### SPECIFICATIONS

- Input Voltage 120 Or 277VAC 1-Phase 2-Wire + 10%\*
- Output Voltage 120 Or 277VAC 1-Phase 2-Wire + 10%\*
- Load Power Factor .5 Lag To .5 Lead
- Output Voltage Distortion < 3% THD For Linear Loads
- Relative Humidity <95% (Non-Condensing)
- Compatible With Generators (10x Unit Size Or Larger)
- Microcontrolled Two Stage Battery Charger (Recharge 24-HR)
- Operating Temperature
  - Inverter: 0°C To 40°C (32°F To 104°F)
  - Battery: 20°C To 30°C (68°F To 86°F)

\*Contact factory for all other voltages

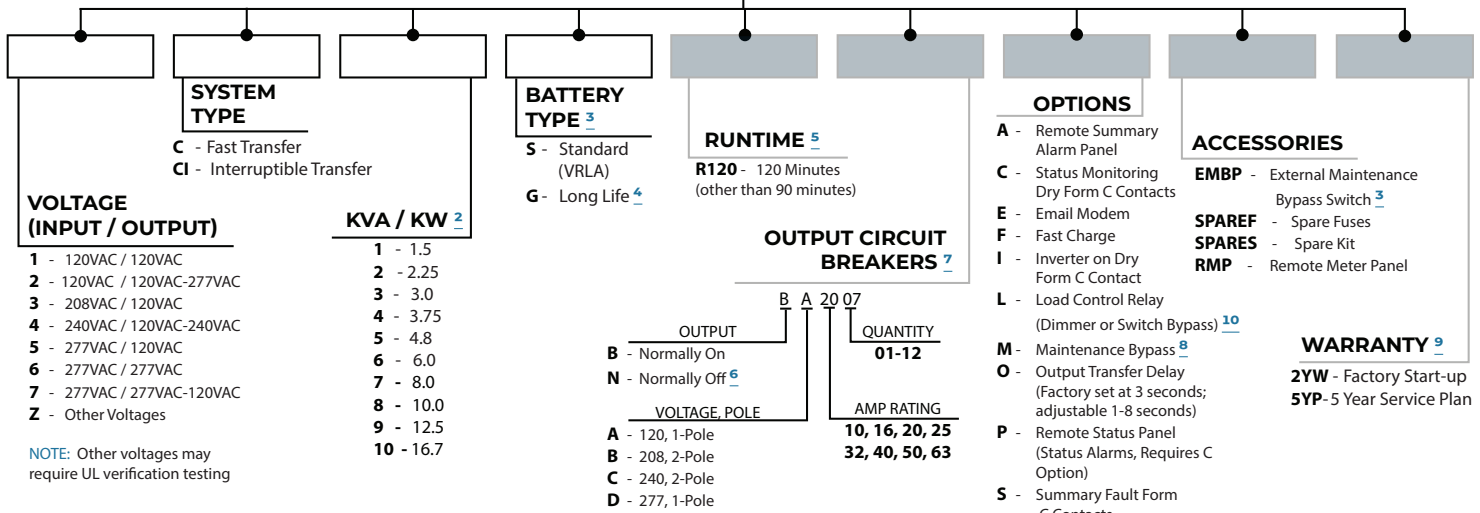


15007 Wicks Blvd, San Leandro, CA 94577 | 1-800-982-4587 | orders@lvcontrols.com | www.lvcontrols.com  
Specifications subject to change without notice.



# ORDERING GUIDE

Example Model Number:  
1-C-1-S-BA2007-A-2YW



1. Only single phase voltages available
2. KVA = KW
3. Cannot Purchase External Maintenance Bypass Switch with Branch Circuit Breaker Options.
4. Battery cases form their enclosures
5. Standard battery run time is 90 minutes
6. Normally off loads cannot exceed 20% of total KVA rating with any combinations of H.I.D. Loads
7. Maximum output breakers available is 12 unsupervised (1-pole), 8 supervised (1-pole). Standard breakers are 20 Amps. Other sizes available from 10-63 Amps. A 2-pole breaker occupies 2 positions; therefore, only 6 unsupervised or 4 supervised may be ordered.
8. Maintenance bypass switch is a make before break
9. One year warranty is standard
10. Contact factory for load control applications.

NOTE: Not all options are described in UL file

## DIMENSIONS

### UPS ELECTRONICS CABINET

| MODEL NUMBER | POWER RATING (KW/KVA) |                 |                              |                                |                  |                | TOTAL SYSTEM WEIGHT<br>lbs/kg | NUMBER OF BATTERIES | BATTERY CABINET |                |                   |                 |                          |                 |                            |                  |
|--------------|-----------------------|-----------------|------------------------------|--------------------------------|------------------|----------------|-------------------------------|---------------------|-----------------|----------------|-------------------|-----------------|--------------------------|-----------------|----------------------------|------------------|
|              | EFFICIENCY %          |                 | AUDIBLE NOISE<br>(dBA at 1m) | ELECTRONICS CABINET DIMENSIONS |                  |                |                               |                     | VOLTAGE (VDC)   |                | CURRENT (AMPERES) |                 | STANDARD RUN TIME (MINS) |                 | NUMBER OF BATTERY CABINETS |                  |
|              | WIDTH<br>in/cm        | HEIGHT<br>in/cm |                              | DEPTH<br>in/cm                 | WEIGHT<br>lbs/kg | WIDTH<br>in/cm |                               |                     | HEIGHT<br>in/cm | DEPTH<br>in/cm | WEIGHT<br>lbs/kg  | WIDTH<br>in/cm  | HEIGHT<br>in/cm          | DEPTH<br>in/cm  |                            | WEIGHT<br>lbs/kg |
| CEPS-F1150   | 1.5                   | 97              | 45                           | 30 / 77                        | 46 / 177         | 22 / 56        | 215 / 98                      | 4                   | 48              | 39             | 90                | na <sup>2</sup> | na <sup>2</sup>          | na <sup>2</sup> | na <sup>2</sup>            | na <sup>2</sup>  |
| CEPS-F1225   | 2.25                  | 97              | 45                           | 30 / 77                        | 46 / 177         | 22 / 56        | 230 / 105                     | 6                   | 72              | 38             | 90                | na <sup>2</sup> | na <sup>2</sup>          | na <sup>2</sup> | na <sup>2</sup>            | na <sup>2</sup>  |
| CEPS-F1300   | 3.0                   | 97              | 45                           | 30 / 77                        | 46 / 177         | 22 / 56        | 235 / 107                     | 8                   | 96              | 38             | 90                | na <sup>2</sup> | na <sup>2</sup>          | na <sup>2</sup> | na <sup>2</sup>            | na <sup>2</sup>  |
| CEPS-F1375   | 3.75                  | 97              | 45                           | 30 / 77                        | 46 / 177         | 22 / 56        | 240 / 109                     | 10                  | 120             | 37             | 90                | na <sup>2</sup> | na <sup>2</sup>          | na <sup>2</sup> | na <sup>2</sup>            | na <sup>2</sup>  |
| CEPS-F1480   | 4.8                   | 97              | 45                           | 30 / 77                        | 46 / 177         | 22 / 56        | 280 / 128                     | 12                  | 144             | 40             | 90                | na <sup>2</sup> | na <sup>2</sup>          | na <sup>2</sup> | na <sup>2</sup>            | na <sup>2</sup>  |
| CEPS-F1600   | 6.0                   | 97              | 45                           | 30 / 77                        | 46 / 177         | 22 / 56        | 300 / 137                     | 15                  | 180             | 40             | 90                | 30 / 77         | 46 / 117                 | 22 / 56         | 300 / 137                  | 1                |
| CEPS-F1800   | 8.0                   | 97              | 45                           | 30 / 77                        | 46 / 177         | 22 / 56        | 335 / 152                     | 20                  | 240             | 39             | 90                | 30 / 77         | 46 / 117                 | 22 / 56         | 300 / 137                  | 1                |
| CEPS-F2100   | 10.0                  | 97              | 45                           | 30 / 77                        | 46 / 177         | 22 / 56        | 440 / 200                     | 24                  | 144             | 82             | 90                | 30 / 77         | 46 / 117                 | 22 / 56         | 300 / 137                  | 2                |
| CEPS-F2125   | 12.5                  | 97              | 45                           | 30 / 77                        | 46 / 177         | 22 / 56        | 460 / 209                     | 30                  | 180             | 82             | 90                | 30 / 77         | 46 / 117                 | 22 / 56         | 300 / 137                  | 2                |
| CEPS-F2167   | 16.7                  | 97              | 45                           | 30 / 77                        | 46 / 177         | 22 / 56        | 500 / 227                     | 40                  | 240             | 80             | 90                | 30 / 77         | 46 / 117                 | 22 / 56         | 300 / 137                  | 2                |

#### STACKABLE BATTERY CABINETS

1. On Emergency only
2. Batteries are to be installed internally to the inverter electronics cabinet.

