

# LED-BP-5/9/15/25

Emergency LED Battery Pack  
Constant Power (5,9,15,25W)  
Field-installable

Project:

Model No.:

Comments:



## MOUNTING

- Mounts to top of light fixture and connect via provided MC



LED COMPATIBLE



WARRANTY

## APPLICATION

**LED-BP** battery packs allow you to convert a normal LED luminaire into an approved emergency lighting luminaire.

During normal operation, the luminaire can be controlled and used as a normal light.

During emergency operation, **LED-BP** automatically transfers to battery power. The automatic voltage detection circuit matches the output voltage to your specific LED fixture, and runs it at constant power/light output for 90 minutes.

*Available in 5,9,15, and 25W power ratings.*

- UL924 Listed for field-installation:** Compatible with the majority of commercially available LED fixtures with drivers. Ideal for retrofits - no new wire pull required when replacing fluorescent battery packs.
- UL924 Listed for factory-installation:** Can be factory installed in or on top of a number of LED luminaires, simplifying installation for the electrical contractor.

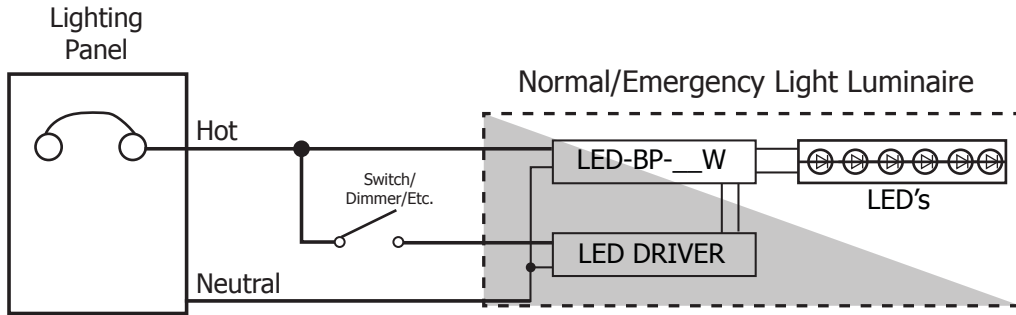
## FEATURES

- Converts LED luminaires into approved emergency lights for 90 minutes.
- Constant power output with automatic overload and low battery protection
- Automatic Voltage Detection: can be used with LED drivers/luminaires operating from 13-60VDC
- 120-277VAC Universal Input
- Class 2 Output Voltage
- Ni-Mh batteries provide long life and are maintenance free
- 5 Year Warranty
- Self-diagnostics
- Available in 5-25W sizes (Approx 500-2500 lumen output)



LVS, Inc. 2555 Nicholson Street, San Leandro, CA 94577-4216  
Phone: 510-352-9600 1-800-982-4587 Fax: 510-352-6707  
www.lvscontrols.com

## SINGLE LINE DRAWING



## SPECIFICATIONS

MODEL NO.	LED-BP-5W	LED-BP-9W	LED-BP-15W	LED-BP-25W
<b>ELECTRICAL</b>				
INPUT VOLTAGE	120-277VAC (Universal)			
OUTPUT VOLTAGE (class 2)	13-60VDC	14-60VDC	15-60VDC	25-60VDC
OUTPUT POWER	5W	9W	15W	25W
BODY SIZE L x W x H	10.25" x 2.56" x 0.87"	12.1" x 2.56" x 0.87"	14.7" x 2.56" x 0.87"	13.8" x 3.23" x 1.18"
TEMPERATURE	32°F to 122°F (0°C to 50°C)			
WARRANTY	5 year replacement warranty			
LUMEN OUTPUT	Lumen output is calculated by multiplying output power by Lumen/Watt rating of your fixture			

Want to make sure your fixture is compatible? Call us for a no-charge consultation and we will verify compatibility with your fixture!

No accessible LED driver? (Screw-in replacement, etc.) Contact us for micro and mini inverter solutions!

## ORDERING INFORMATION

LED-BP-5W  
LED-BP-9W  
LED-BP-15W  
LED-BP-25W

Suffix	Description	Notes
-CEC	CEC Title 20 Compliant	Longer lead-time
-WL	Wire lead (instead of MC)	Longer lead-time

## ADDITIONAL OPTIONS

- Installation Sheet
- Terms & Conditions/Warranty Information

LVS, Inc. 2555 Nicholson Street, San Leandro, CA 94577-4216

Phone: 510-352-9600 1-800-982-4587 Fax: 510-352-6707

www.lvscontrols.com