

RTS-120V / 277V

Load Shedding Controls

Project:

Model No.:

Comments:

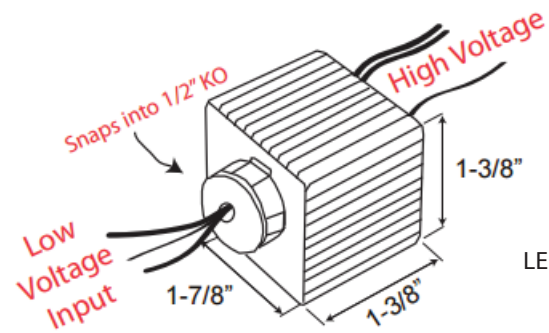


FEATURES

The RTS series of unique load shedding controls automatically reduce energy consumption of connected lighting loads by 100% during peak hours or other specified conditions. A patent pending feature disconnects or dims lighting to deliver energy savings when they are required most.

- **Demand Response:** RTS can accept demand response signals and automatically disconnect any light fixture, or dim 0-10V light fixtures by 25 or 50%.
- **Plug Load/Receptacle Control:** RTS can connect to low voltage occupancy sensors to automatically switch receptacles on/off based on occupancy.
- **Emergency Lighting:** RTS can detect the loss of utility power and dim 0-10V light fixtures connected to an emergency inverter system by 25-50%.

MOUNTING



LISTED



LED COMPATIBLE



0-10V Dimmer
Compatible

APPLICATION

- **Switching/Load Shedding based on 0-10V Signal**
Some systems do not have a dry contact output, such as wireless or networked systems or some photocells. In this case, the RTS can sense from the 0-10V line from a ballast/dimmer, when violet and gray are between 1-10V, relay is closed, 0-1V relay is open.
- **Plug Load/Receptacle/Lighting Control**
The RTS-120/277 can be used to control a receptacle (plug load) or lighting circuit using a DC input signal from an occupancy sensor with power pack or other DC supply

METHOD OF OPERATION

The RTS-24 allows load to operate normally until load shedding signal changes position, then the load is disconnected.

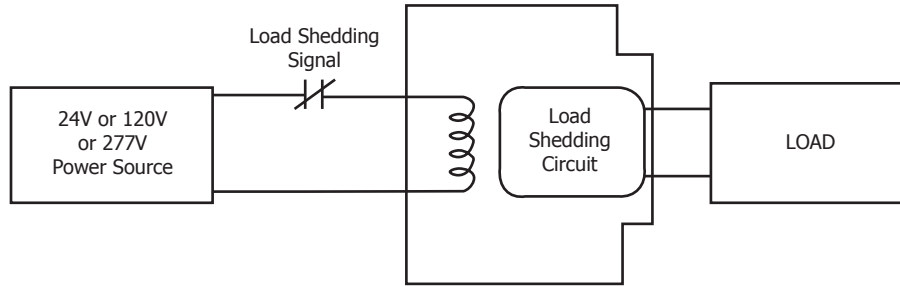


LVS, Inc. 2555 Nicholson Street, San Leandro, CA 94577-4216

Phone: 510-352-9600 1-800-982-4587 Fax: 510-352-6707

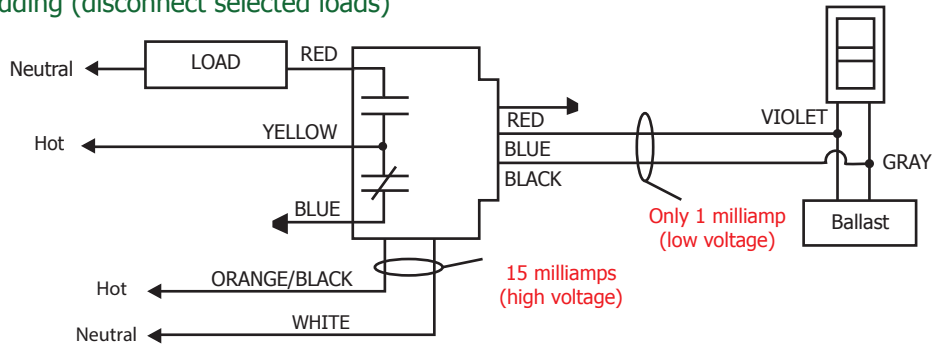
www.lvscontrols.com

SINGLE LINE DRAWING

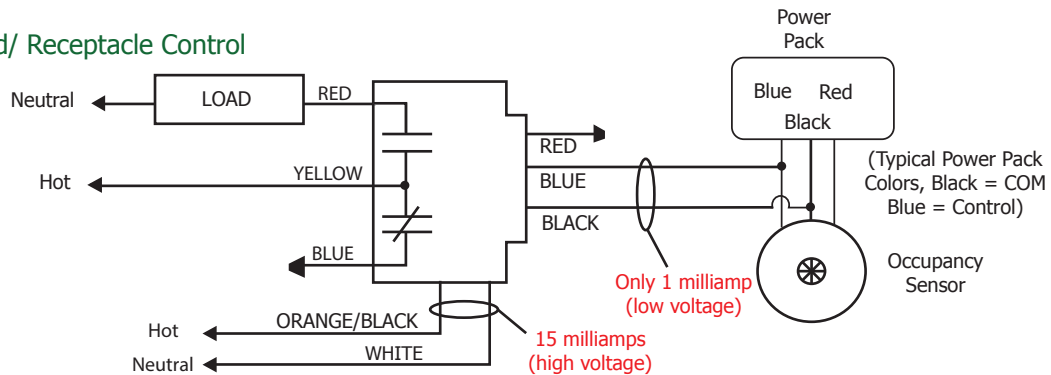


WIRING DIAGRAM

Wiring #1: Load Shedding (disconnect selected loads)



Wiring #2: Plug Load/ Receptacle Control



SPECIFICATIONS

ELECTRICAL	MODEL NO.	RTS-120V / 277V	MECHANICAL	MOUNTING	Snaps into 1/2" Knockout (K.O.)
	SENSING INPUT	120V / 277V		RATING	UL94-5V
	LOAD RATING	120V - 277V (20A)		SHIPPING WEIGHT / COLOR	8 oz. / Black
	BALLAST LOAD RATING	20A (120-277V)		TEMPERATURE	32°F - 140°F (0°C - 60°C)
	INCANDESCENT LOAD	1800W (120V) / 1500W (277V)		FLUSH MOUNTED SIZE	4-3/4" x 2-3/4" x 1/4"
	WARRANTY	5 Year Replacement Warranty		BODY SIZE	1-7/8" x 1-3/8" x 1-3/8"

ORDERING INFORMATION

RTS-120V / 277V

ADDITIONAL RESOURCES

- Installation Sheet
- FAQ Sheet
- Alternative Wiring Sheet
- Terms & Conditions/Warranty Information

LVS, Inc. 2555 Nicholson Street, San Leandro, CA 94577-4216
 Phone: 510-352-9600 1-800-982-4587 Fax: 510-352-6707

www.lvscontrols.com