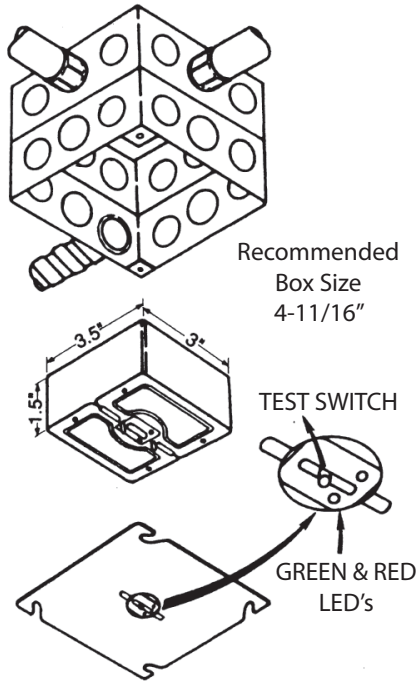


MODEL EPC-PM-A Installation



Recommended
Box Size
4-11/16"

TEST SWITCH

GREEN & RED
LED's

Theory Of Operation

The EPC-PM-A gives the ability to wire up to two bi-level (Step Dimming or A-B switching) ballasts as emergency loads, without any reduction in switching functionality. During normal operation, emergency ballasts will be controlled by A & B switch legs.

During emergency operation, specifier has the option to illuminate either A tubes only, or both A & B tubes.

Wiring Method 1: In order to illuminate A tubes only during power failure, cap off wire #8.

Wiring Method 2: In order to illuminate both A & B tubes during power failure, connect wire #8 to wire #9, shown dotted below.

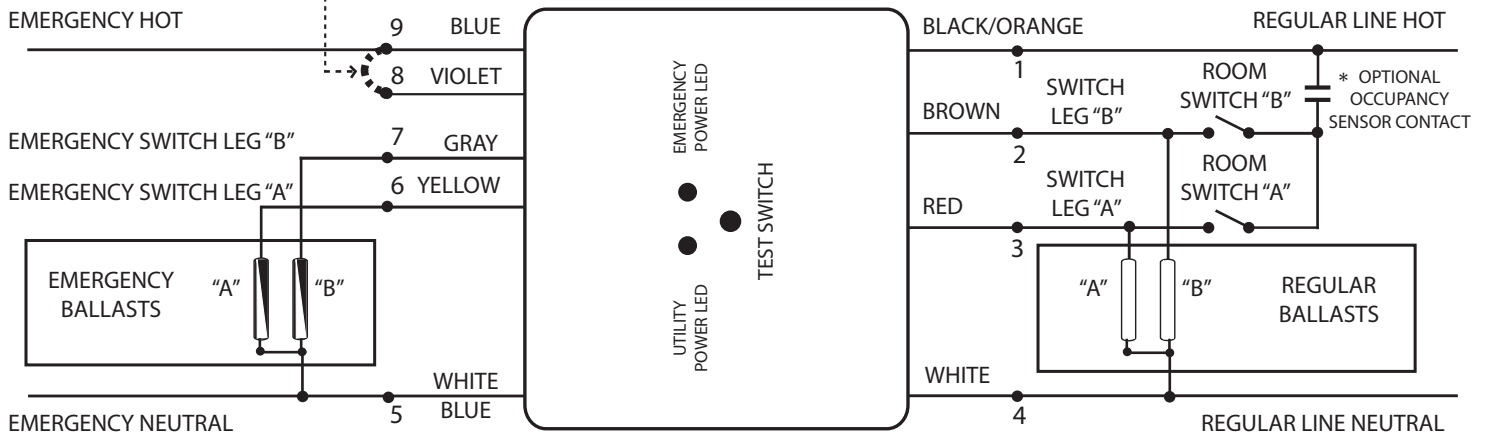
After selecting between Wiring Methods 1 and 2, follow wiring diagram below.

MODEL EPC-PM-A WIRING DIAGRAM

Maximum Emergency Load:
2-Bi-Level Ballasts
Total Load: 2 Amp



Wiring Method #2 Connection
(See Theory of Operation)



Model EPC-PM-A-120V :
120V BALLAST: 2 Amp Load
Unit Current: 0.08 Amp

Model EPC-PM-A-277V :
277V BALLAST: 2 Amp Load
Unit Current: 0.08 Amp

Plastic is UL94V-0
flame rated and can be
mounted above the
suspended ceiling.

**Specify Voltage
When Ordering:**

120V or 277V

Model EPC-PM-A : Plenum Mounted Size : 1-1/2" x 3-1/2" x 3"
Color: Black and Silver • Weight: 8 oz Ambient Temp Rating: 32°F-140°F

5-Year Limited Warranty

LVS, INC. 2555 Nicholson St., San Leandro, CA 94577
Tel: 1-800-982-4587 Fax: 1-510-352-6707

<http://www.lvscontrols.com>

It is recommended to number
field wiring exactly the same
with numbers provided.

