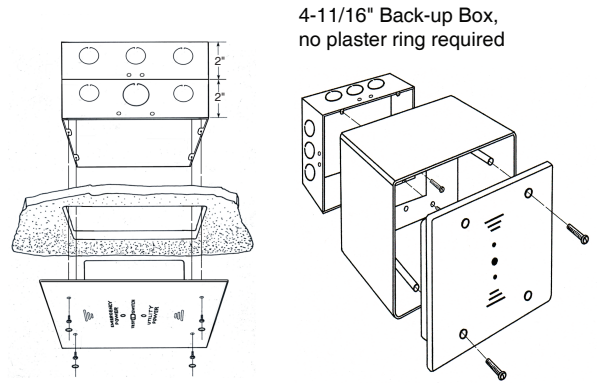


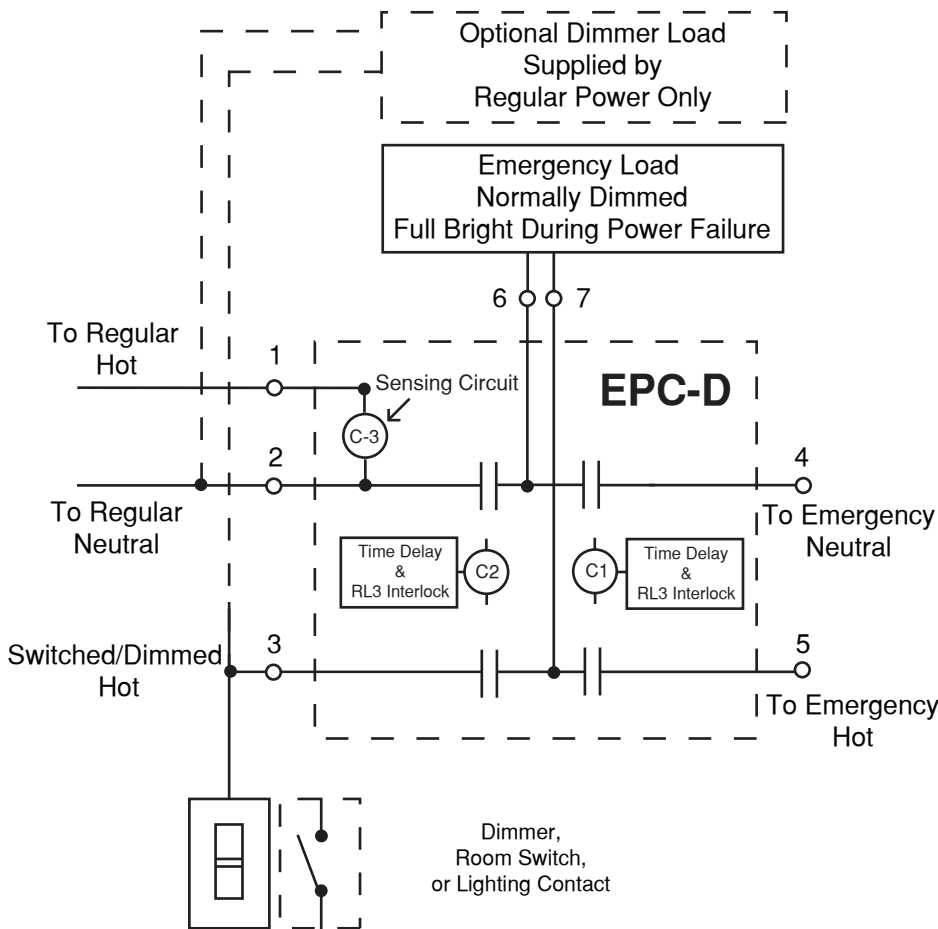
SILENT SINGLE ZONE AUTOMATIC EMERGENCY POWER TRANSFER CONTROL

MODEL EPC-D

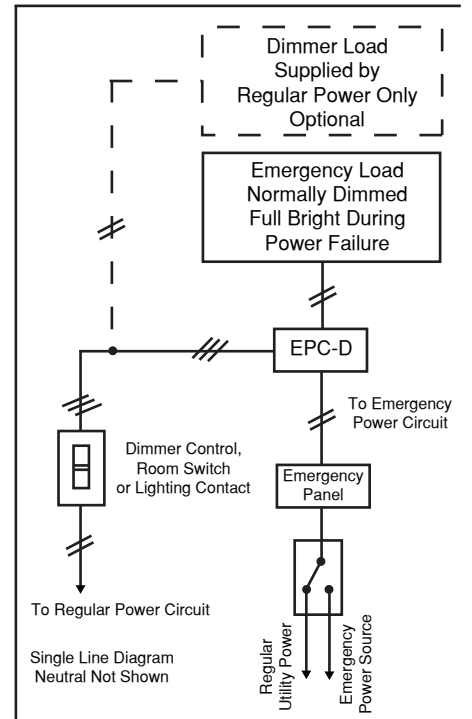
- 2 Wire Dimmable Loads
- Switch Emergency Load from Renter-Paid Utility Power to Facility Generator or Inverter Power
- Complete Circuit Transfer of Lighting Load from Regular Power to Emergency Power



Universal Mounting: Can be mounted surface, flush or above the suspended ceiling.



Typical wiring diagram for 2 wire loads.



LVS, Inc. 2555 Nicholson St., San Leandro, CA 94577
Tel: 1-800-982-4587 Fax: 1-510-352-6707
www.lvcontrols.com

Before Installation

1. Read instructions, review wiring diagram, and connect wires, one at a time, in accordance with numbering.
2. EPC-D connection wires are numbered. It is recommended that the same standardized numbering method be used on building wires.
3. The 24 hour night light circuit emergency power circuit breaker must be turned off in addition to the regular branch circuit breaker before installing EPC-D.

Applications

1. Dimmable emergency lighting in public places, such as conference rooms, classrooms, auditoriums, theaters.
2. Can be used in commercial applications where emergency loads are to be transferred from Renter-Paid Utility Power to Facility Generator or Inverter Power.

Quadruple Safety & Reliability

C-1 Contactor N.O.

- Voltage sensing interlock with C-2
- Electrical Contact interlock with C-2
- 1.5 second electronic time delay interlock with C-2
- Short circuit proof contactor

C-2 Contactor N.O.

- Voltage sensing interlock with C-1
- Electrical Contact interlock with C-1
- 1.5 second electronic time delay interlock with C-1
- Short circuit proof contactor

Features

1. Integral Momentary Test Switch
2. Visible Emergency Power Indicator LED
3. Visible Utility Power Indicator LED
4. Surge Protection on all inputs
5. Fast to Install, Universal Mounting

Notes:

Installation

EPC-D is designed to be installed as a wiring device in the area the dimmable lights are, or in a central location. The EPC-D can be mounted surface, above the suspended ceiling, or flush.

Method of Operation

EPC-D single zone silent operating control is a versatile, cost-effective unit specifically designed for dimmable lights in public places where critical light levels of at least 1 foot candle must be maintained during a loss of normal utility power. The EPC-D senses a loss or drop of voltage and within 1.5 seconds transfers the load to an available emergency source. When the normal utility power is restored, the EPC-D senses this and will transfer the load back to the normal utility power within 1.5 seconds. Momentary incorporated test switch simulates normal power failure and can be performed anytime. Any interruption of normal utility power will automatically transfer designated lights to full bright condition, regardless of whether system is turned on or off.

Electrical Specifications / Approvals

LVS Emergency Power Controls have been tested, approved, and are listed by Underwriters Laboratories under UL 924 standards as designated emergency light fixture controls. They meet and exceed all pertinent code requirements from NEC, NFPA, OSHA, and life safety codes, in addition to major local codes.

Warranty

All Model EPC-D units are tested during production and upon completion are burned in for a minimum of 8 hours and cycled under varying conditions 100 times. 5 year replacement warranty. Designed for 25 year trouble free service.

General Specifications

Enclosure: Impact resistant, UL 94V-0 flame rating
Color: White **Size:** 5" x 5" x 2" **Weight:** 0.75lb.
Temp rating: 32°-140° F For indoor use only.
Unit Current: 75 mA, 2 Watt

EPC-D-120V

120 VAC Ballast 20 Amp
120 VAC Tungsten 1500 Watt
General Use 20 Amp 1HP

EPC-D-277V

277 VAC Ballast 20 Amp
General Use 20 Amp 1.5HP