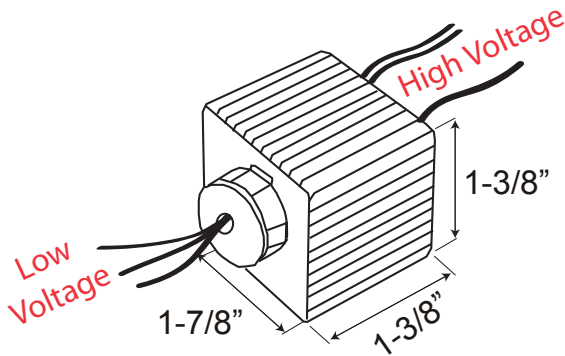


Model CR-1-120 Specifications & Wiring Diagrams



Model CR-1-120V
Specification Grade
Patented

5 YEAR WARRANTY



LISTED

APPLIANCE CONTROL
18HK

Electrical Specifications

120 volts AC 60 Hz.
1000W Ballast, 600W Tungsten
1/6 HP Motor Load

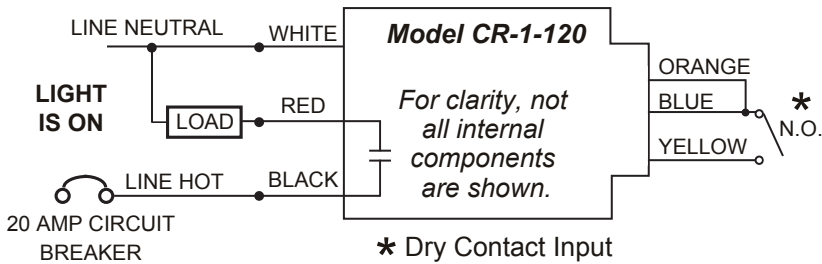
Mechanical Specifications

Low Voltage Side:
snaps into 1/2 KO
High Voltage Side:
H 1-3/8" W 1-7/8" L 1-3/8"

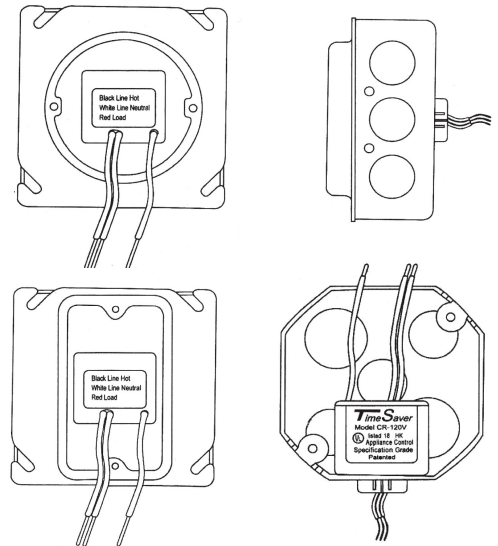
Heavy Duty
versions available,
please contact LVS
with load requirements

**CLOSET LIGHT CONTROL
USING NORMALLY OPEN SWITCH**
(MAGNETIC TYPE SWITCH, Surface or Concealed)

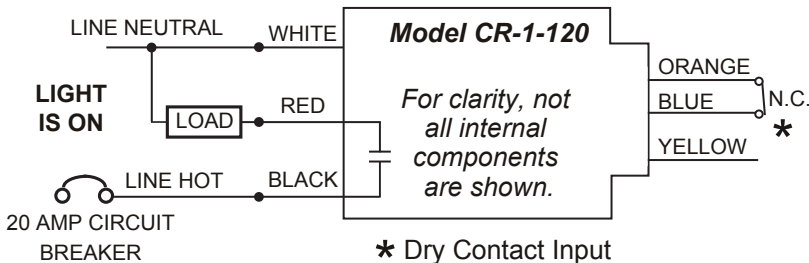
Can be K.O. mounted in any junction box



Note: For double doors, wire N.O. switches in series
Switch is open when door is open,
Switch is closed when door is closed



**CLOSET LIGHT CONTROL
USING NORMALLY CLOSED SWITCH**
(MECHANICAL PUSH BUTTON TYPE SWITCH)



Note: For double doors, wire N.C. switches in parallel
Switch is closed when door is open,
Switch is open when door is closed

Magnet options:

MCSS - Magnetic 3/8 recessed contact with set screws. N.O. Type

MCS - Magnetic 3/8 recessed contact with wiring leads. N.O. Type

SMSS - Magnetic surface mount contact with set screws. N.O. Type

Note: CR-1-120V is compatible with any N.O or N.C. dry contact magnet rated for 12-24VDC 10mA or greater

Always observe N.E.C. & local codes.



LVS, Inc. 2555 Nicholson Street, San Leandro, CA 94577-4216
Phone: 510-352-9600 1-800-982-4587 Fax: 510-352-6707
www.closetlightrelay.com