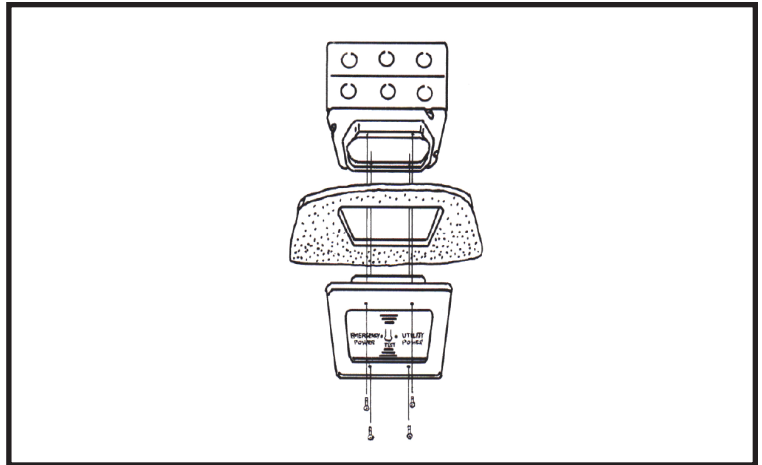
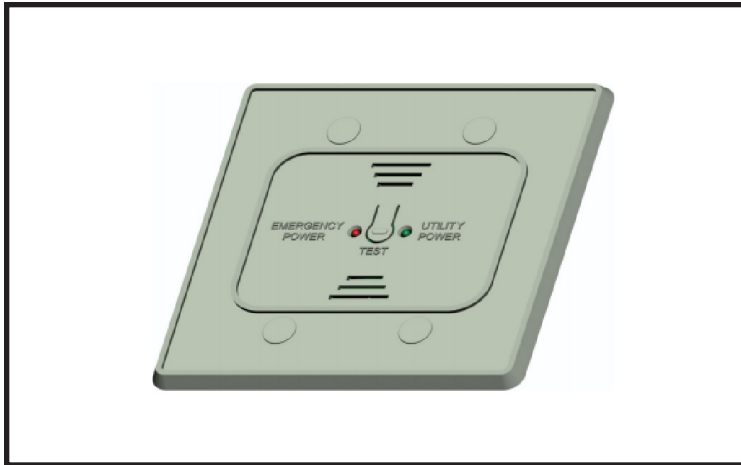




LUT-ALCR-D

Emergency Power Control
For 4-Wire Dimmable Loads



APPLICATION

In the past, emergency lights were kept on 24 hours a day to meet life safety codes. Now, you can use a UL 924 listed Emergency Power Control, Model LUT-ALCR-D, to convert normal light fixtures into approved emergency lights. The LUT-ALCR-D saves energy and money while ensuring compliance with both life safety and energy codes.

During normal operation, the same dimmer, occupancy sensor, dimming panel, or lighting control can switch and dim normal and emergency fixtures on and off simultaneously.

During a utility power interruption, the LUT-ALCR-D automatically bypasses the normal lighting controls, turning the emergency lights ON at full brightness, regardless of dimmer position.

The LUT-ALCR-D is ceiling or wall mounted in a junction box with a double gang plaster ring and is usually located in the area where the emergency fixtures are installed.

FEATURES

- Unique, Patented Automatic Diagnostics
 - When the room switch is turned off, the LUT-ALCR-D will run a 2.5 self-test routine, verifying that the emergency power source was available and that the LUT-ALCR-D, ballast, and lamp(s) are all functioning correctly. This feature eliminates the need for time-consuming and costly manual monthly testing and is approved for this purpose. This also allows the unit to be installed in remote or inaccessible locations, because the unit does not rely on access to its manual test switch.
- Isolated 0-10V relay contact ensures full brightness during utility power interruption, regardless of dimmer model
- Fire Alarm, Remote Test & 0-10V Dimming Option
- Utility & Emergency Power Indicator LED's
- Slim, attractive flush mount profile allows easy access to manual test switch and LED's.



15007 Wicks Blvd. San Leandro, CA 94577 | 1-800-982-4587
techsupport@lvscontrols.com | www.lvscontrols.com
Specifications subject to change without notice.



WARRANTY

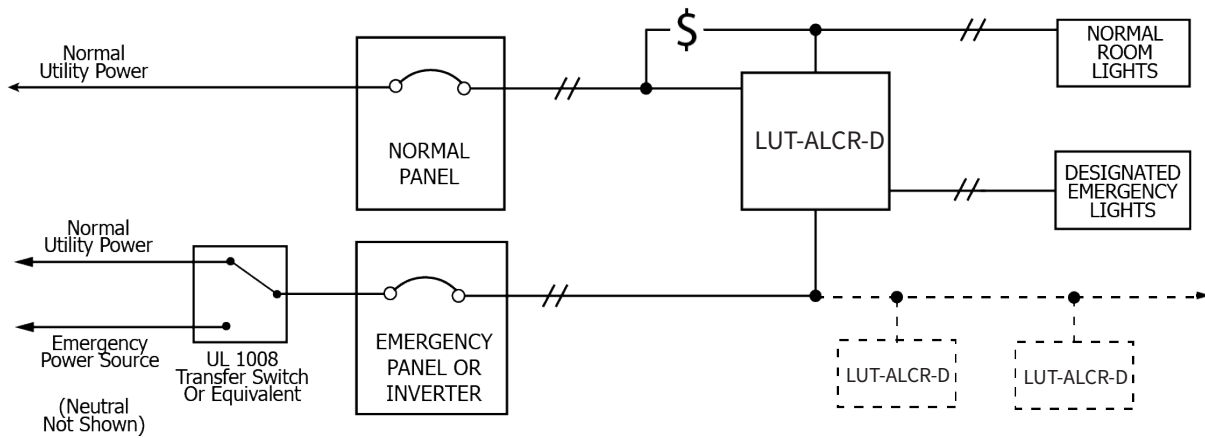


LED COMPATIBLE

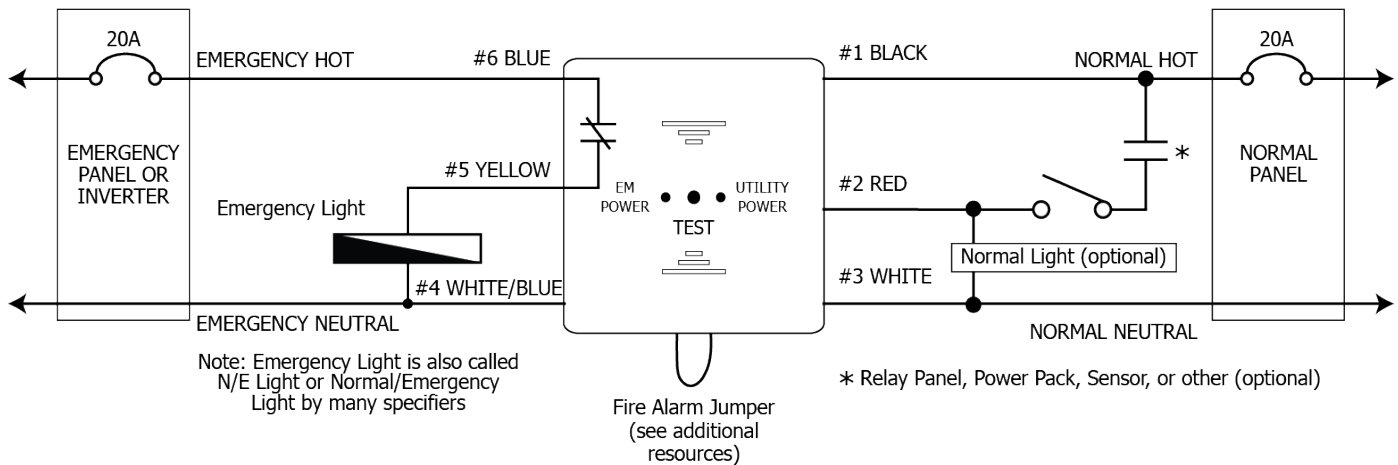


UL924 LISTED

SINGLE LINE DRAWING



WIRING DIAGRAM



SPECIFICATIONS

ELECTRICAL RATINGS	MODEL NUMBER	LUT-ALCR-D
	SENSING VOLTAGE	120-240/277V
	LOAD VOLTAGE	120V - 277V (20A)
	BALLAST/DRIVER LOAD	20A (120-277V)
	INCANDESCENT LOAD	1200W (120V) / 1500W (277V)
	WARRANTY	5 Year Limited Warranty

MECHANICAL	MOUNTING	4-11/16" Junction Box w/ Double Gang Plaster Ring
	RATING	UL94V-0A
	SHIPPING WEIGHT/COLOR	12 oz. / White
	TEMPERATURE	0°C - 60°C (32°F - 140°F)
	FLUSH MOUNTED SIZE	5" x 5" x 0.2"
	BODY SIZE	3.5" x 2.75" x 1.5"

