

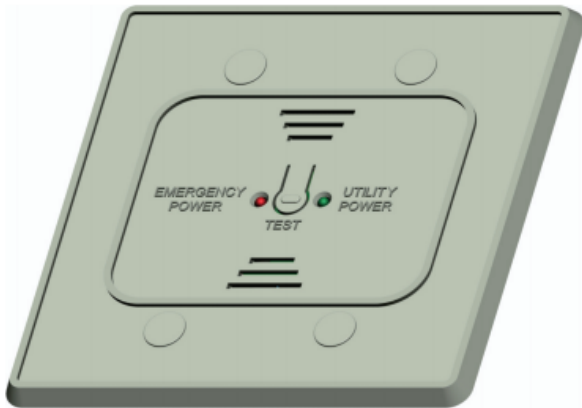
LUT-SHUNT-D

Shunt Relay for 0-10V and Line Voltage Applications (DPDT)

Project:

Model No.:

Comments:



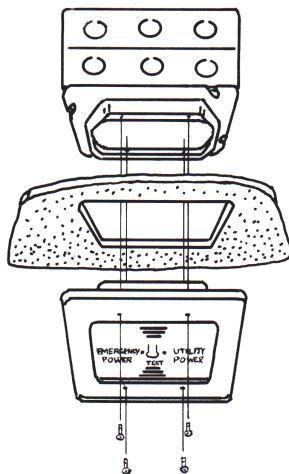
APPLICATION

LVS is proud to announce its latest addition to the popular RRU Shunt Line. The LUT-SHUNT-D includes a 20A rated high voltage Form C (N/O+N/C) relay and a low voltage Form A (N/O) relay and is UL924 Listed for emergency lighting control applications.

The LUT-SHUNT-D can simultaneously bypass both a line voltage switch and a 0-10V dimming signal, ensuring that an emergency fixture illuminates at full brightness during a utility power interruption.

Its small size makes it ideal for junction box mounting in wireless or other modern lighting control systems. An integral test switch and LED allow for quick testing and verification of proper function.

MOUNTING



LED COMPATIBLE



UL924 LISTED



WARRANTY

FEATURES

The powerful LUT-SHUNT-D includes:

- 20A Rated N/O & N/C
Used for bypassing line voltage switching, occupancy sensors or dimmers. Also used as dry contact to signal relay panels or BMS systems or utility power interruption
- 1A Rated N/O contact
Used for bypassing low voltage dimming or switching signals from room controllers or dimmers
- Integral test switch and green utility power indicator
- UL924 Listed

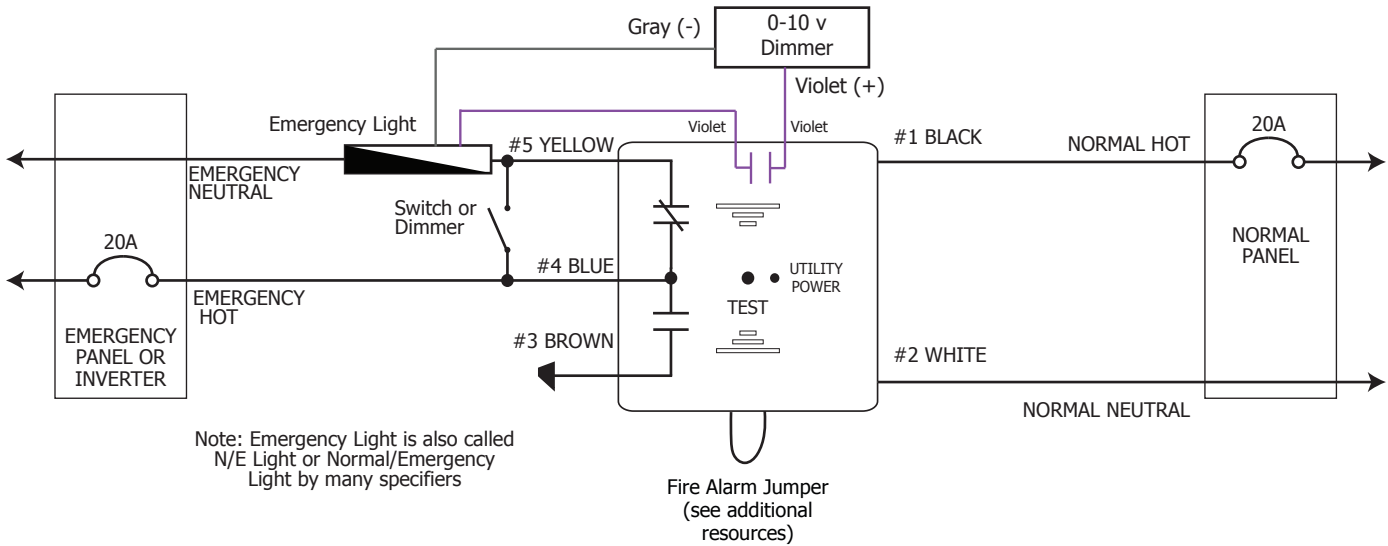


LVS, Inc. 2555 Nicholson Street, San Leandro, CA 94577-4216

Phone: 510-352-9600 1-800-982-4587 Fax: 510-352-6707

www.lvscontrols.com

WIRING DIAGRAM



SPECIFICATIONS

ELECTRICAL	MODEL NO.	LUT-SHUNT-D
	SENSING INPUT	120V - 277V
	LOAD RATING	120V - 277V (20A)
	BALLAST LOAD RATING	20A (120-277V) (Contact #1)
	INCANDESCENT LOAD	1200W (120V) / 1500W (277V)
	WARRANTY	5 Year Replacement Warranty
	LOAD	Contact #1 20A (120-277V) Contact #2 1A (30V DC)

MECHANICAL	MOUNTING	4-11/16" Junction Box w/ double gang plaster ring
	RATING	UL94V-0A
	SHIPPING WEIGHT / COLOR	12 oz. / White
	TEMPERATURE	32°F - 140°F (0°C - 60°C)
	SIZE	5" x 5" x 0.2" (W x H x D flush cover) 3.5" x 2.75" x 1.5" (W x H x D body)

ORDERING INFORMATION

LUT-SHUNT-D

ADDITIONAL RESOURCES

- Installation Sheet
 - FAQ Sheet
 - Alternative Wiring Sheet
 - Terms & Conditions/Warranty Information
 - Fire Alarm Tie-In/Override
- <https://www.lvscontrols.com/blog/ul92fai>

LVS, Inc. 2555 Nicholson Street, San Leandro, CA 94577-4216
 Phone: 510-352-9600 1-800-982-4587 Fax: 510-352-6707
www.lvscontrols.com