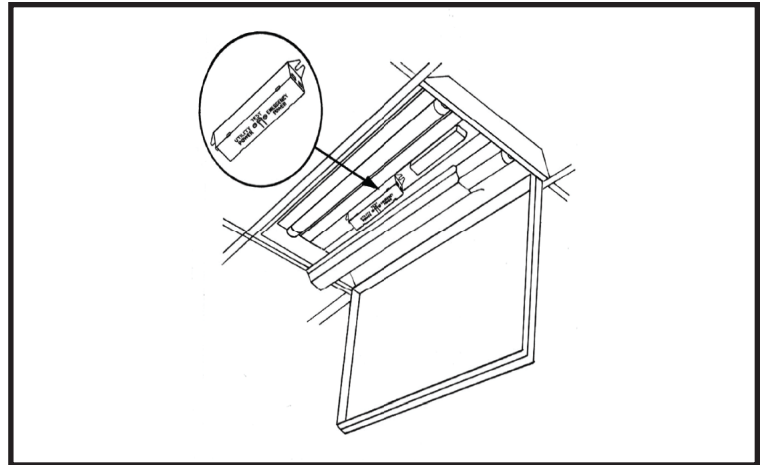
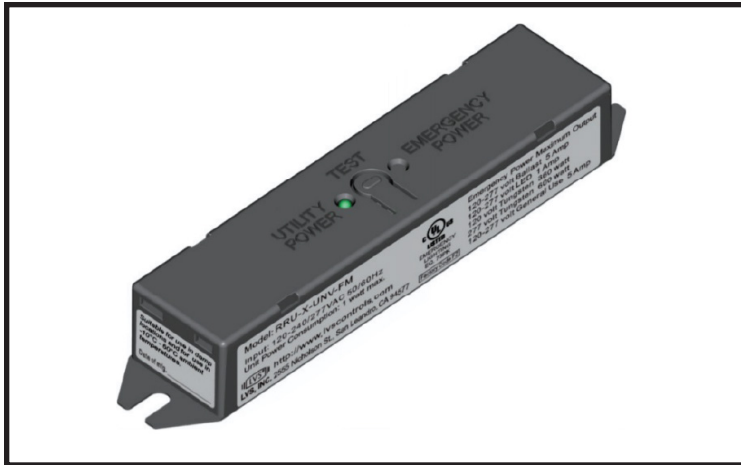




## LUT-SHUNT-FM

Shunt Relay for Line Voltage Applications  
(SPDT)



## APPLICATION

LVS is proud to announce its latest addition to the popular Shunt Line. The LUT-SHUNT-FM includes a 3A rated Form C (N/O+N/C) relay and is UL924 Listed for emergency lighting control applications.

The LUT-SHUNT-FM can bypass either a line voltage switch or a DALI dimming signal, ensuring that an emergency fixture illuminates at full brightness during a utility power interruption.

Its slim profile fits most fixture ballast channels or wiring compartments. An integral test switch and LED allow for quick testing and verification of proper function.

## FEATURES

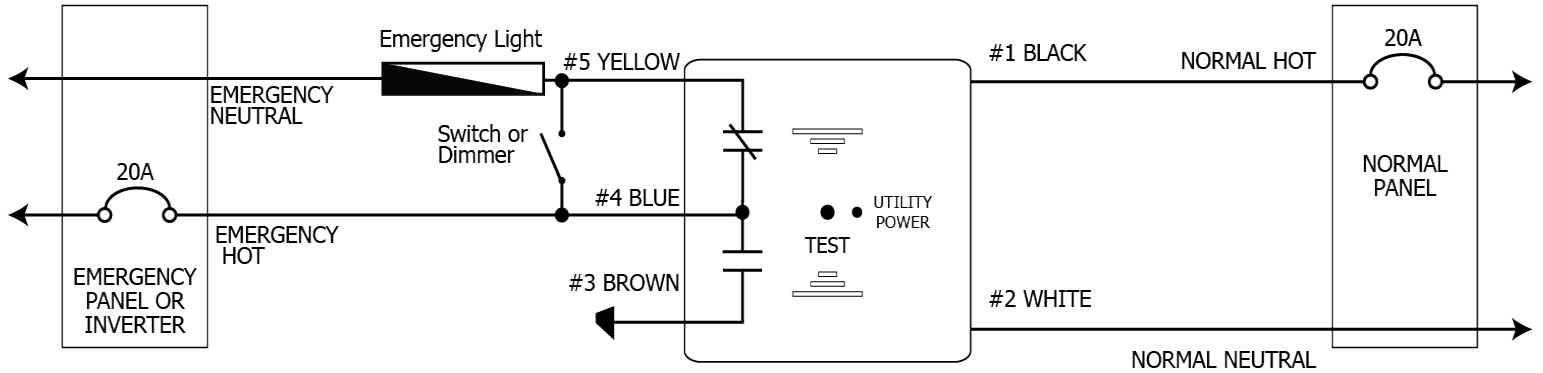
- N/O and N/C contacts that allow:
  - Bypass of line voltage switching, occupancy sensors, and dimmers
  - Communication to relay panels, BMS systems and in the event of utility power inaccessible for manual testing
- Integral test switch and green utility power indicator
- UL924 Listed



15007 Wicks Blvd. San Leandro, CA 94577 | 1-800-982-4587  
techsupport@lvscontrols.com | www.lvscontrols.com  
Specifications subject to change without notice.



# WIRING DIAGRAM



Note: Emergency Light is also called N/E Light or Normal/Emergency Light by many specifiers

# SPECIFICATIONS

<b>ELECTRICAL RATINGS</b>	MODEL NUMBER	LUT-SHUNT-FM
	SENSING VOLTAGE	120-240/277V
	LED LOAD VOLTAGE	3A (120-277V)
	BALLAST/DRIVER LOAD	5A (120-277V)
	INCANDESCENT LOAD	1200W (120V) / 1500W (277V)
	WARRANTY	5 Year Limited Warranty
	DC RATING	May Be Used For 1A (0-30VDC)

<b>MECHANICAL</b>	MOUNTING	Fixture Mount, Panel Mount
	RATING	UL94V-0A, Damp Location Rated
	SHIPPING WEIGHT/COLOR	8 oz. / Black
	TEMPERATURE	0°C - 60°C (32°F - 140°F)
	BODY SIZE	4.92" x 1" x 1.18" Mounting feet approx 5.7" on center

