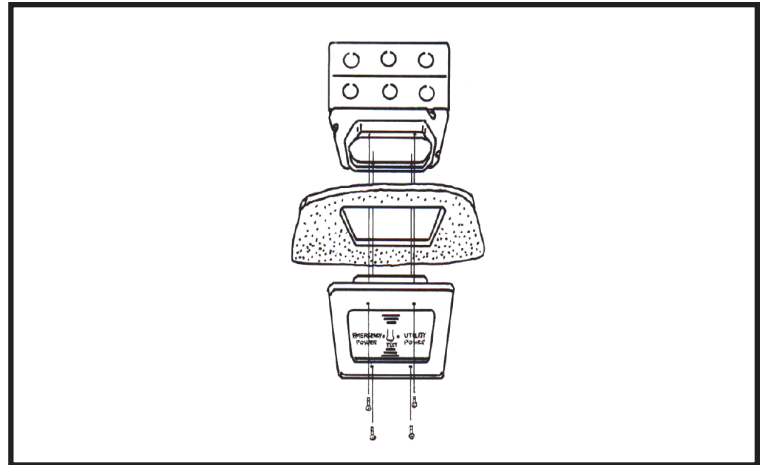
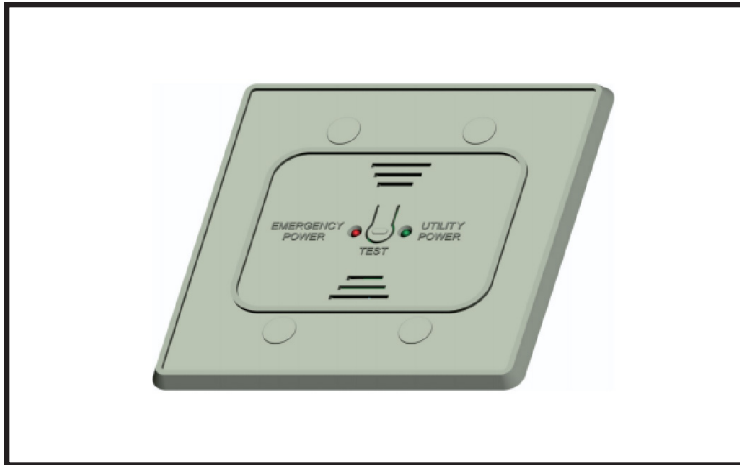




LUT-SHUNT

Shunt Relay Line Voltage Switching or Dimming Applications (SPDT)



APPLICATION

LVS is proud to announce its latest addition to the popular RRU Shunt Line. The LUT-SHUNT includes a 20A rated high voltage Form C (N/O+N/C) relay and is UL924 Listed for emergency lighting control applications.

The LUT-SHUNT can bypass a line voltage switch or dimmer, ensuring that an emergency fixture illuminates at full brightness during a utility power interruption.

Its small size makes it ideal for junction box mounting in wireless or other modern lighting control systems. An integral test switch and LED allow for quick testing and verification of proper function.

FEATURES

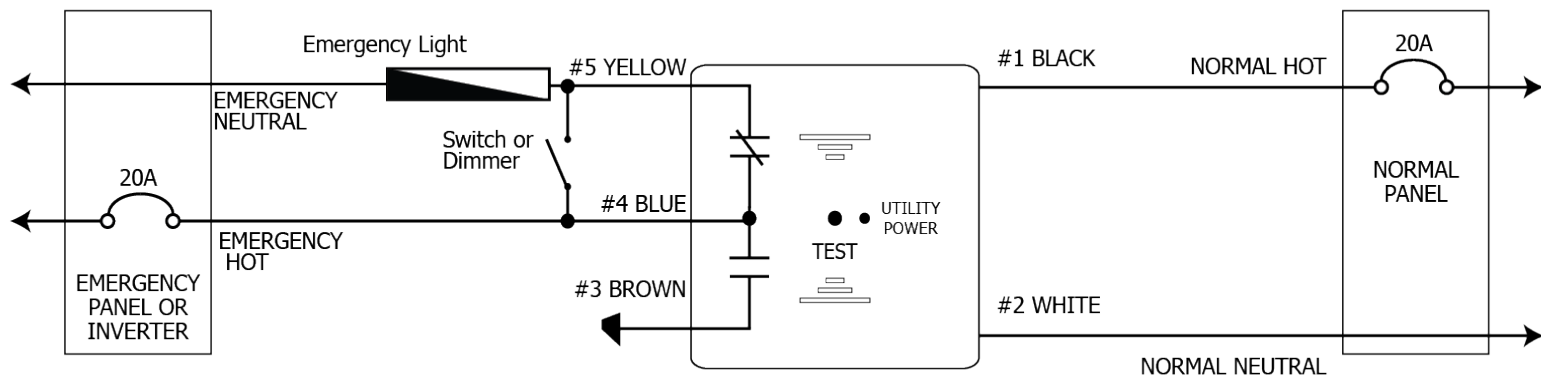
- 20A rated N/O and N/C contacts that allow:
 - Bypass of line voltage switching, occupancy sensors, and dimmers
 - Communication to relay panels, BMS systems and in the event of utility power inaccessible for manual testing
- Integral test switch and green utility power indicator
- UL924 Listed



15007 Wicks Blvd. San Leandro, CA 94577 | 1-800-982-4587
techsupport@lvscontrols.com | www.lvscontrols.com
Specifications subject to change without notice.



WIRING DIAGRAM



Note: Emergency Light is also called N/E Light or Normal/Emergency Light by many specifiers

SPECIFICATIONS

ELECTRICAL RATINGS	MODEL NUMBER	LUT-SHUNT
	SENSING VOLTAGE	120-240/277V
	LOAD VOLTAGE	120V - 277V (20A)
	BALLAST/DRIVER LOAD	20A (120-277V) (Contact #1)
	INCANDESCENT LOAD	1200W (120V) / 1500W (277V)
	WARRANTY	5 Year Limited Warranty

MECHANICAL	MOUNTING	4-11/16" Junction Box w/ Double Gang Plaster Ring
	RATING	UL94V-0A
	SHIPPING WEIGHT/COLOR	12 oz. / White
	TEMPERATURE	0°C - 60°C (32°F - 140°F)
	FLUSH MOUNTED SIZE	5" x 5" x 0.2"
	BODY SIZE	3.5" x 2.75" x 1.5"

