

MODEL LUT-ALCR-DMX (EPC-DMX) INSTALLATION INSTRUCTIONS

! IMPORTANT SAFEGUARDS !

WHEN USING ELECTRICAL EQUIPMENT, BASIC SAFETY PRECAUTIONS SHOULD ALWAYS BE FOLLOWED, INCLUDING THE FOLLOWING:


READ AND FOLLOW ALL SAFETY INSTRUCTIONS

1. This product can be used with DMX Controllable LED, ballast and tungsten loads.
2. Make sure all connections are in accordance with the National Electrical Code and local regulations.
3. To reduce the risk of electric shock, disconnect both normal and emergency power supplies before servicing.
4. This product is intended to be used to control indoor and outdoor located loads.
5. An unswitched AC power source is required (120-240VAC/277VAC).
6. Do not install near gas or electric heaters.
7. Do not attempt to service a sealed Emergency Power Control. When malfunctioning, return to the manufacturer: LVS, Inc. 2555 Nicholson Street, San Leandro, CA 94577.
8. The use of accessory equipment is not recommended by the manufacturer and may cause unsafe condition.
9. Do not use this product for other than its intended use.
10. Servicing should be performed by qualified service personnel.
11. Equipment should be mounted in locations and at heights where it will not readily be subjected to tampering by unauthorized personnel.

SAVE THESE INSTRUCTIONS

5-Year Limited Warranty

LVS, Inc. warrants to the original purchaser/user for the published warranty period from the date of shipment that should LVS instruments or equipment prove defective by reason of improper workmanship or material, LVS will repair or replace the same equipment without charge. This warranty does not cover defects or malfunctions arising from improper installation, operation or repair, or neglect, accident, or abuse. LVS will honor its warranty provided the equipment has not been physically damaged or improperly installed or connected. To obtain warranty/repair, the defective product should be shipped freight prepaid within the warranty period to the address below. To the extent permitted by applicable law, all warranties extending beyond repair or replacement as described above are disclaimed, including the implied warranties of merchantability and fitness for a particular purpose. Where applicable law prohibits disclaimers or the implied warranties of merchantability and fitness; those warranties are limited to 12 months from date of shipment. LVS provides a 90 day money back guarantee if equipment does not perform in accordance with LVS published specifications. The liability of LVS and its agents under all warranties is limited to repair and replacement as described herein and under no circumstances shall there be liability for any other kind of loss, damage, or labor, either consequential or for injury to person or property or otherwise.

Electrical Specifications	120-240/277v 50/60Hz Sensing Input Auxiliary Form C Contact 120VAC-277VAC 50/60Hz 8A Ballast/General, 3A LED, 600W Tungsten	 C [®] US UL924 LISTED
Mechanical Specifications	EPC-DMX-P Installs in 4-11/16" junction box with extension and single gang plaster ring or install with EPC-DMX-BC in NEMA1 box	EPC-DMX-BC Installs in 8x8x4 or larger NEMA1 box with DIN RAIL (by others)



LVS, Inc. 2555 Nicholson Street, San Leandro, CA 94577-4216
 Phone: 510-352-9600 1-800-982-4587 Fax: 510-352-6707
 Web: WWW.LVSCONTROLS.COM

Application

The **UL924 Listed LUT-ALCR-DMX** permits easy control of DMX emergency lighting. During normal operation, DMX signal is passed through to output and copied to optically isolated auxiliary channels. During emergency operation, a recorded scene is recalled and pushed to the universe. This scene can be recorded and re-recorded in the field. Non-volatile flash memory is resilient to power interruptions and maintains the memorized scene.

Intended for use with DMX Controllable loads. Does not include UL1008 transfer switch.

Automatic Diagnostic - Automatic monthly testing every 25/365 days (30 seconds/90 minutes). This allows installation in any location because its test switch does not need to be accessible. This feature can be field-selected using the dip switches.

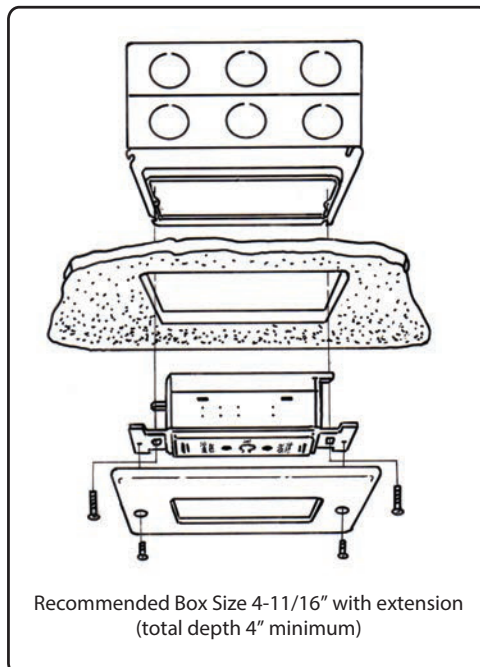
Fire Alarm / Remote Test Switch - Some applications demand that emergency lighting be activated upon fire alarm, security alarm, or remote test switch activation. LUT-ALCR-DMX is equipped with a low voltage override input (red jumper). Please visit <https://www.lvscontrols.com/blog/ul92fai> for details

Three Phase Sensing - Can be selected to sense 1 or 3 phase normal power systems for interruption.

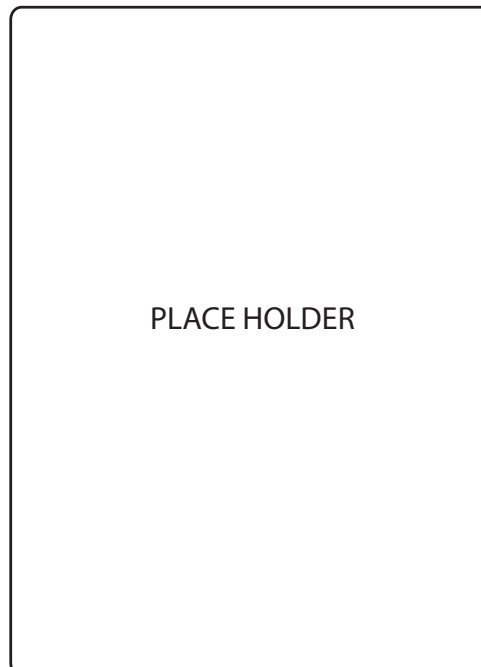
Small Form Factor - Unique split enclosure permits test switch to be flush mounted and DMX controller to be panel or box mounted. Isolated high/low voltage connections.

Dry Status Contact - Form C dry contact permits interconnection with BMS and other systems indicating the state of the emergency system and normal power.

**Sense Module Mounting
(LUT-ALCR-DMX-P)**



**Bypass Controller Mounting
(LUT-ALCR-DMX-BC)**



Installation

In order to install the LUT in accordance with national/local code requirements, a qualified electrician should review & understand the installation instructions. Check voltage & current requirements. Verify & lock out circuit breakers on both regular (utility) power & 24 hour emergency generator or inverter circuit. Install a self-adhesive 2" x 3" caution label in each fixture or load controlled by an LUT cautioning that the load is supplied from 2 different power sources, normal & emergency. Review wiring diagram & connect wires, one at a time, in accordance with the numeric identification.

Setup/Programming

Turn on Normal/Emergency power sources. Set your DMX lighting control system to the desired emergency scene (this scene will be recalled during a normal power interruption). Press the record button for 1 second. The blue LED will flash once.

Initial Testing

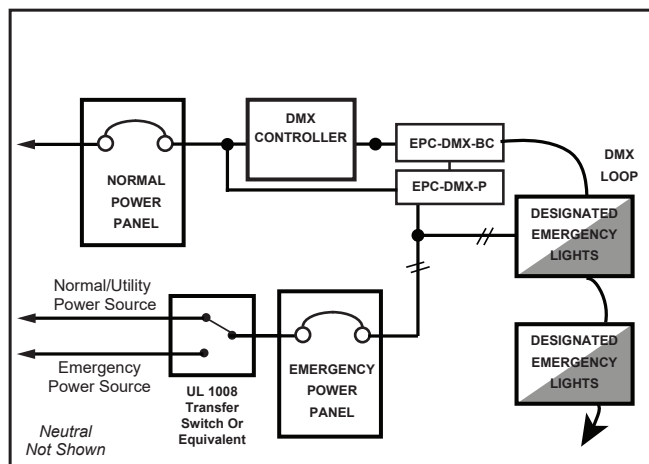
In order to test that the wires are connected correctly, without any inconvenience to occupants, do not turn off regular (utility) power off until you have checked each device as follows:

- 1) Check that regular branch circuit breaker is connected & utility power is available. Green LED on EPC-DMX-P should be lit. If green LED is not lit, check connections & continuity to branch circuit breaker.
- 2) Check that emergency branch circuit breaker is connected & emergency power is available. Red LED on EPC-DMX-P should be lit. If red LED is not lit, check connections & continuity to branch circuit breaker.
- 3) Normal Operation Test: Turn DMX lighting control system to any scene. Reduce light level to ~10% or OFF.
- 4) Emergency Operation Test: Press and hold test button, emergency lights should illuminate at full brightness until test button is released.

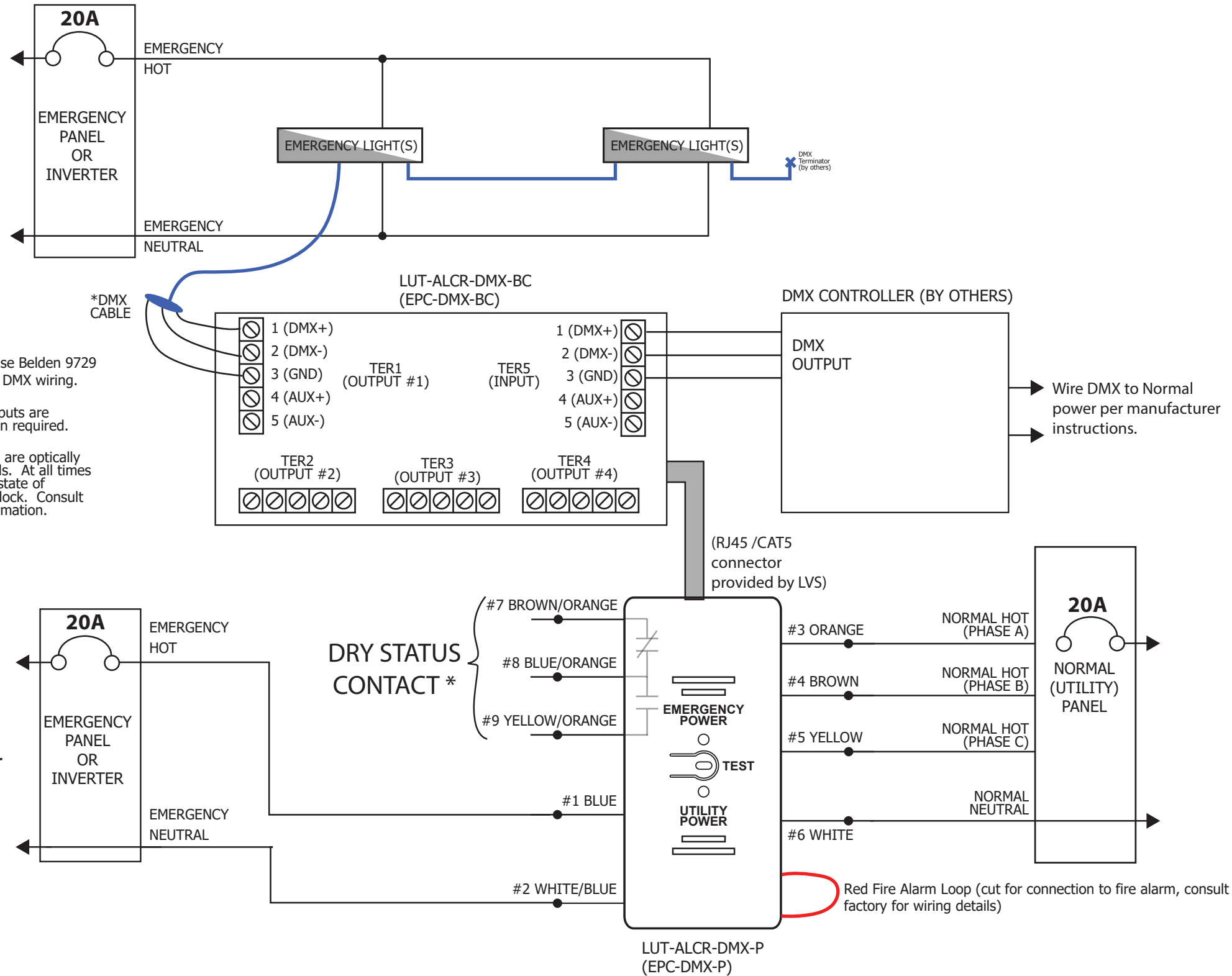
Maintenance

No maintenance is required to keep the LUT functional. However, regular testing should be performed when the lamps or ballasts have been replaced or when remodeling has taken place.

Single Line Drawings



Wiring Diagram #1 (Suggested): During normal operation, the DMX controller can control emergency lighting. During emergency operation, the DMX controller recalls a pre-recorded scene to the emergency lighting.



*DMX CABLE NOTE: Use Belden 9729 Cable or equivalent for DMX wiring.

NOTE: AUX+/AUX- outputs are optional. No connection required.

NOTE: OUTPUT #2,3,4 are optically isolated output channels. At all times they will duplicate the state of OUTPUT #1 terminal block. Consult factory for further information.

Wire DMX to Normal power per manufacturer instructions.

Note: Dry status contact is shown in emergency state. It can be used for BMS and other remote control purposes. If unused, cap #7,8,9 leads.

Red Fire Alarm Loop (cut for connection to fire alarm, consult factory for wiring details)