

MODEL LUT-ALCR INSTALLATION INSTRUCTIONS

! IMPORTANT SAFEGUARDS !

WHEN USING ELECTRICAL EQUIPMENT, BASIC SAFETY PRECAUTIONS SHOULD ALWAYS BE FOLLOWED, INCLUDING THE FOLLOWING:

READ AND FOLLOW ALL SAFETY INSTRUCTIONS

1. This product can be used with LED, ballast, tungsten, and general use loads.
2. Make sure all connections are in accordance with the National Electrical Code and local regulations.
3. To reduce the risk of electric shock, disconnect both normal and emergency power supplies before servicing.
4. This product is intended to be used to control indoor and outdoor located loads.
5. An unswitched AC power source is required (120-240VAC/277VAC).
6. Do not install near gas or electric heaters.
7. Do not attempt to service a sealed Emergency Power Control. When malfunctioning, return to the manufacturer: LVS, Inc. 2555 Nicholson Street, San Leandro, CA 94577.
8. The use of accessory equipment is not recommended by the manufacturer and may cause unsafe condition.
9. Do not use this product for other than its intended use.
10. Servicing should be performed by qualified service personnel.
11. Equipment should be mounted in locations and at heights where it will not readily be subjected to tampering by unauthorized personnel.

SAVE THESE INSTRUCTIONS

5-Year Limited Warranty

LVS, Inc. warrants to the original purchaser/user for the published warranty period from the date of shipment that should LVS instruments or equipment prove defective by reason of improper workmanship or material, LVS will repair or replace the same equipment without charge. This warranty does not cover defects or malfunctions arising from improper installation, operation or repair, or neglect, accident, or abuse. LVS will honor its warranty provided the equipment has not been physically damaged or improperly installed or connected. To obtain warranty/repair, the defective product should be shipped freight prepaid within the warranty period to the address below. To the extent permitted by applicable law, all warranties extending beyond repair or replacement as described above are disclaimed, including the implied warranties of merchantability and fitness for a particular purpose. Where applicable law prohibits disclaimers or the implied warranties of merchantability and fitness; those warranties are limited to 12 months from date of shipment. LVS provides a 90 day money back guarantee if equipment does not perform in accordance with LVS published specifications. The liability of LVS and its agents under all warranties is limited to repair and replacement as described herein and under no circumstances shall there be liability for any other kind of loss, damage, or labor, either consequential or for injury to person or property or otherwise.

Electrical Specifications

120-240/277v Sensing Input
20 Amp Ballast Load Rating (120-277V)
20 Amp General Use Rating (120-277V)
1200W Incandescent Load Rating (120V)
1500W Incandescent Load Rating (277V)
Normally Closed Output Contact
UL924 Listed (usUL/cUL)



Mechanical Specifications

Mounts in 4-11/16" Junction Box with Extension Box
Use double gang plaster ring
Suitable for installation in the plenum
Tested to UL2043 UL94-5VA Plastic Flame Rating
Shipping Weight: 9 oz Color : White
Temperature: -40°C-60°C (-40°F - 140°F)
Flush Mounted Size: 5" x 5" x 1/4"
Body Size: 3-1/2" x 2-5/8" x 1-1/2"



LVS, Inc. 2555 Nicholson Street, San Leandro, CA 94577-4216
Phone: 510-352-9600 1-800-982-4587 Fax: 510-352-6707
Web: WWW.LVSCONROLS.COM

Application

In the past, all emergency lights were left on 24 hours a day to meet safety codes. Now you can specify & install a **UL924 Listed Emergency Power Control LUT-ALCR**, which converts up to 20A of normal light fixtures to approved emergency lights. During normal operation, the LUT-ALCR switches designated emergency lights on and off with the same switch as your normal lights. During a utility power interruption, the LUT-ALCR turns designated emergency lights on, regardless of switch position.

Intended for use with switching controls.

*For 0-10V/EcoSystem Dimmable Loads, use model **LUT-ALCR-D**.*

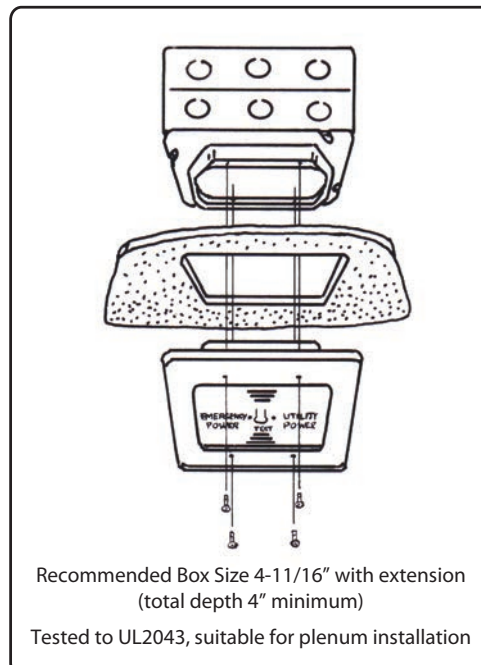
*For Line Voltage Dimmable Loads, use model **LUT-ATS-D**.*

For applications using 10 or more high inrush electronic ballasts or drivers, highbay or 347V applications, consult LVS for details.

Patented Automatic Diagnostic - When the room switch is turned off, LUT-ALCR tests itself for 2.5 seconds, testing that an emergency power source is available and that the LUT-ALCR, ballast, and lamp(s) are functioning correctly. This feature eliminates the need for manual monthly testing and is approved for this purpose. This allows installation in any location because its test switch does not need to be accessible. This feature can be disabled in the field by cutting the blue jumper.

Fire Alarm / Remote Test Switch - Some applications demand that emergency lighting be activated upon fire alarm, security alarm, or remote test switch activation. The LUT-ALCR is equipped with a low voltage override input (red jumper). Please visit www.lvscontrols.com/FAI.php for details

Flush Mount Installation



Installation

In order to install the LUT in accordance with national/local code requirements, a qualified electrician should review & understand the installation instructions. Check voltage & current requirements. Verify & lock out circuit breakers on both regular (utility) power & 24 hour emergency generator or inverter circuit. Install a self-adhesive 2" x 3" caution label in each fixture or load controlled by an LUT cautioning that the load is supplied from 2 different power sources, normal & emergency. Review wiring diagram & connect wires, one at a time, in accordance with the numeric identification. In order to provide a safe light level, when regular power is interrupted, it is recommended that a minimum of approximately 5000 lumen are controlled by a 24 hour emergency circuit & are spaced no farther than 24' in any direction from each other in a normal 9' white ceiling environment.

Initial Testing and Troubleshooting

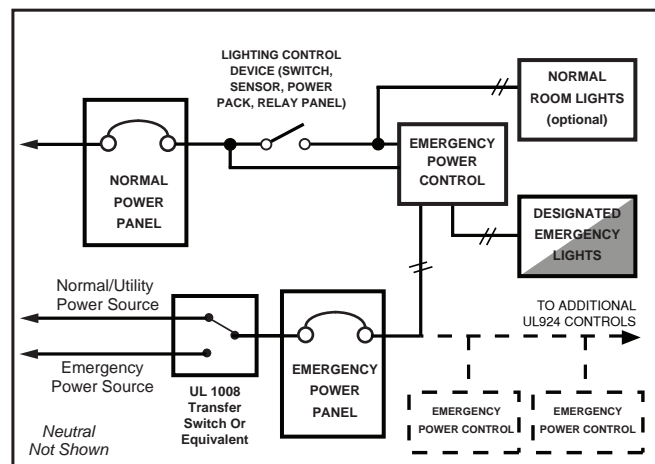
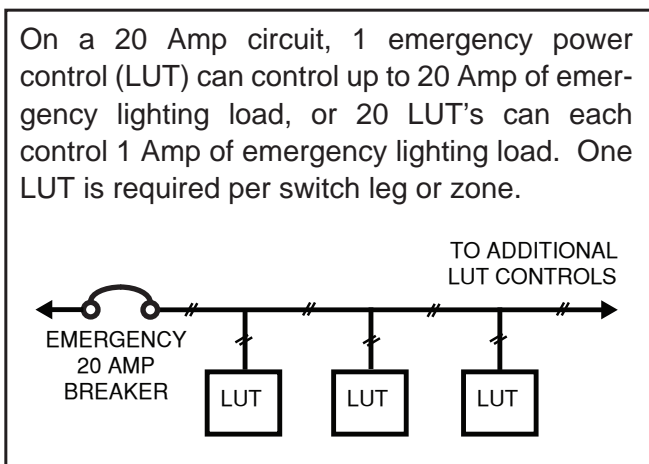
In a new installation, where hundreds of devices may be used, each having as many as 14 wires to be correctly connected, it is important that a fast, convenient method is used to check connections. In order to test that the wires are connected correctly, without any inconvenience to occupants, do not turn off regular (utility) power off until you have checked each device as follows:

- 1) Check that regular branch circuit breaker is connected & utility power is available. Green LED should be lit. If green LED is not lit, check connections & continuity to branch circuit breaker.
- 2) Check that emergency branch circuit breaker is connected & emergency power is available. Red LED should be lit. If red LED is not lit, check connections & continuity to branch circuit breaker.
- 3) Normal Operation Test: Turn switch to the "ON" position. Normal & emergency lights should turn on. Turn room switch or control to the "OFF" position. Normal lights should turn off immediately. If blue loop is connected, emergency lights should stay on for at least 2.5 seconds. If blue jumper is cut and capped, emergency lights should turn off immediately.
- 4) Emergency Operation Test: Press and hold test button, emergency lights should illuminate until test button is released.

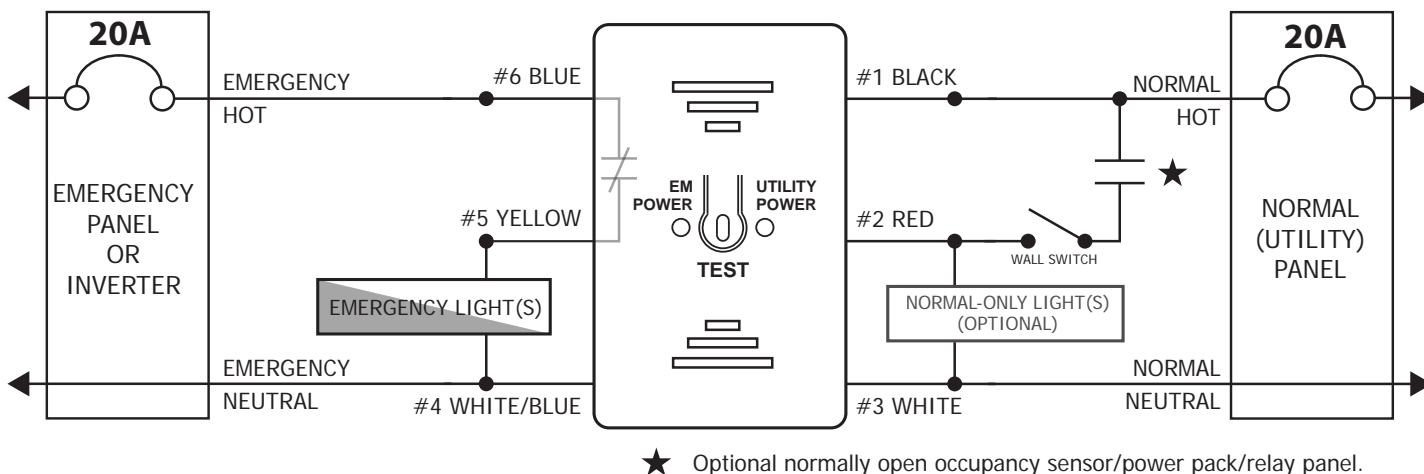
Maintenance

No maintenance is required to keep the LUT functional. However, regular testing should be performed when the lamps or ballasts have been replaced or when remodeling has taken place.

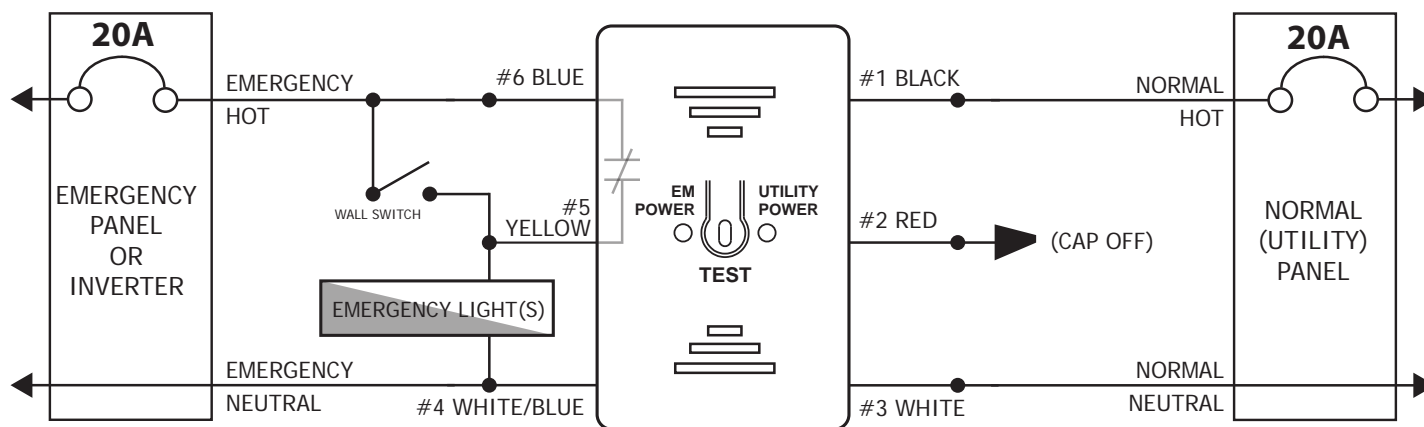
Single Line Drawings



Wiring Diagram #1 (Suggested): A common switch controls both normal and emergency lighting in a space. Upon loss of normal power, the emergency lighting comes on regardless of switch position.



Wiring Diagram #2 (Shunt): A dedicated switch controls emergency lighting in a space. Upon loss of normal power, the emergency lighting comes on regardless of switch position.



FREQUENTLY ASKED QUESTIONS:

Do I need a separate normal and emergency ballast/driver?

NO, the emergency light only needs a single ballast/driver. The Normal-Only light(s) shown are separate light fixtures that you want to control with the same switch, but which do not serve as emergency lighting during a power interruption.

Can I use the LUT-ALCR with 3-way switches?

YES, replace the single pole wall switch above with your 3-way switches.

Can I use the LUT-ALCR with A/B switching?

YES, but you need a separate LUT-ALCR for each switch leg (i.e. 2 LUT-ALCR for A/B switching). If you are using a step-dim ballast/driver please consult LVS for compatibility.

Can I use the LUT-ALCR with dimmers?

4 NO, use model LUT-ALCR-D for 0-10V dimmers and LUT-ATS-D for line voltage dimmers.