

RRU-X-UNV-FM

Shunt Relay for 0-10V and Line Voltage Applications (DPDT)

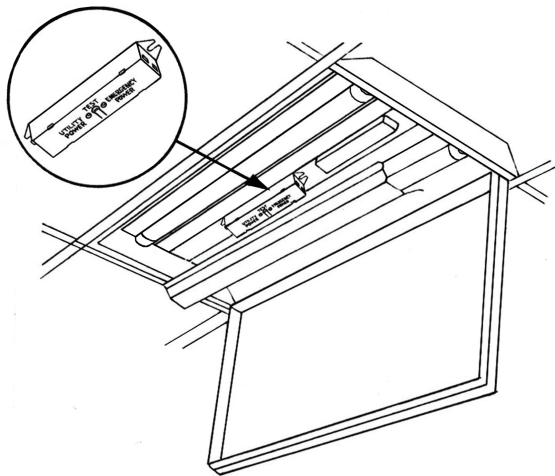
Project:

Model No.:

Comments:



MOUNTING



LED COMPATIBLE



UL924 LISTED



WARRANTY

APPLICATION

LVS is proud to announce its latest addition to the popular Shunt Line. The RRU-X-UNV-FM includes a high voltage Form C (N/O+N/C) relay and a low voltage Form A (N/O) relay and is UL924 Listed for emergency lighting control applications.

The RRU-X-UNV-FM can bypass both a line voltage switch and a 0-10V dimming signal, ensuring that an emergency fixture illuminates at full brightness during a utility power interruption.

Its slim profile fits most fixture ballast channels or wiring compartments. An integral test switch and LED allow for quick testing and verification of proper function.

FEATURES

The powerful RRU-X-UNV-FM includes:

- Dual N/O & N/C
Used for bypassing line voltage and low voltage switching, occupancy sensors or dimmers. Also used as dry contact to signal relay panels or BMS systems or utility power interruption
- Integral test switch and green utility power indicator
- UL924 Listed
- Fire alarm override input



LVS, Inc. 2555 Nicholson Street, San Leandro, CA 94577-4216

Phone: 510-352-9600 1-800-982-4587 Fax: 510-352-6707

www.lvscontrols.com

