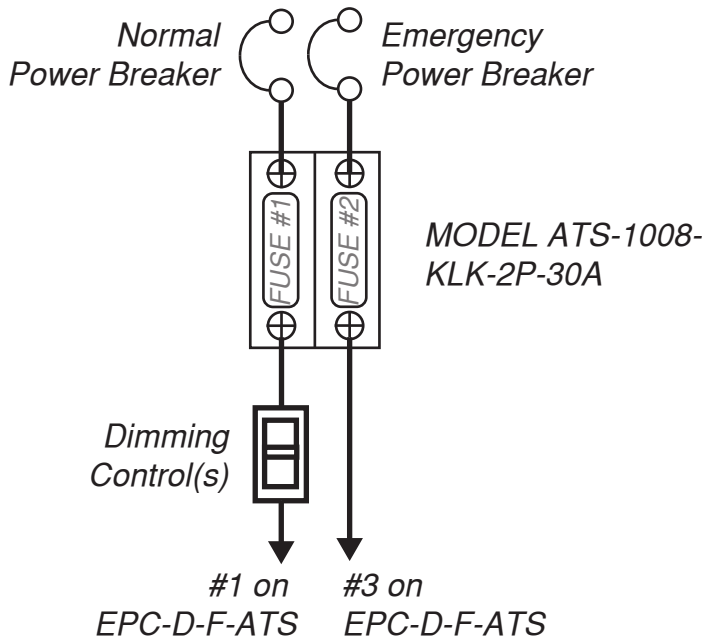


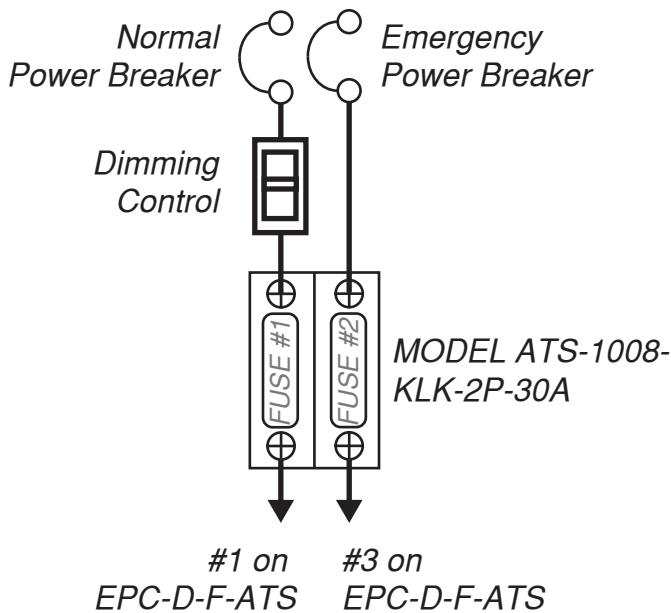
FUSE & FUSE HOLDER ACCESSORY KIT FOR MODEL EPC-D-F-ATS UL1008 EMERGENCY TRANSFER SWITCH

Typical Wiring Example #1



The fuse is installed on the line side of the dimming control. Under this method, a single ATS-1008-KLK-2P-30A may feed multiple EPC-D-F-ATS, provided that their total load does not exceed 16A, and they share the same normal & emergency breakers

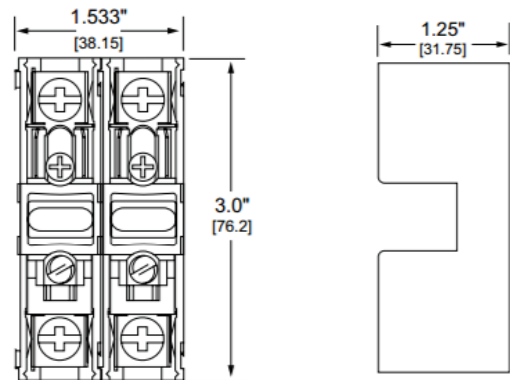
Typical Wiring Example #2



The fuse is installed on the load side of the dimming control. Under this method, a ATS-1008-KLK-2P-30A is needed for each EPC-D-F-ATS.

MODEL ATS-1008-KLK-2P-30A

In order to meet UL1008 requirements for Short Circuit Current Rating (5000A) an approved fuse must be used on the normal and emergency circuits. LVS offers the model ATS-1008-KLK-2P-30A assembly with two fuses, a UL listed holder, and fuse puller. The fuses may also be supplied by the contractor separately. See table below for approved fuse models.



May be installed in 4-11/16" Back-up Box or similar (supplied by others)

Placeholder for 3D image

REPLACE FUSES ONLY WITH TYPES:

Littelfuse	KLK-30	30 Amps
Littelfuse	KLKR-30	30 Amps

Note: Use KLK-30 for non-rejection holders
Use KLKR-30 for rejection holders

