

# LUT-ALCR-D-FM

Emergency Power Control  
For 0-10V & DALI Dimmable Loads

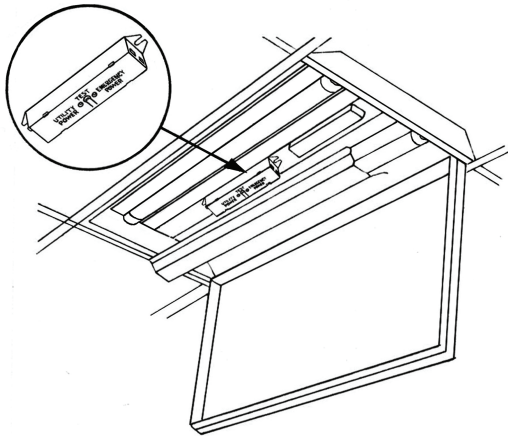
Project:

Model No.:

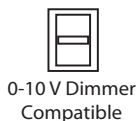
Comments:



## MOUNTING



LED COMPATIBLE



0-10V Dimmer  
Compatible

## APPLICATION

In the past, emergency lights were kept on 24 hours a day to meet life safety codes. Now, you can use a UL 924 listed [Emergency Power Control, Model LUT-ALCR-D-FM](#), to convert normal light fixtures into approved emergency lights. The [LUT-ALCR-D-FM](#) saves energy and money while ensuring compliance with both life safety and energy codes.

During normal operation, the same dimmer, occupancy sensor, dimming panel, or lighting control can switch and dim normal and emergency fixtures on and off simultaneously.

During a utility power interruption, the [LUT-ALCR-D-FM](#) automatically bypasses the normal lighting controls, turning the emergency lights ON at full brightness, regardless of dimmer position.

The [LUT-ALCR-D-FM](#) is fixture mounted.

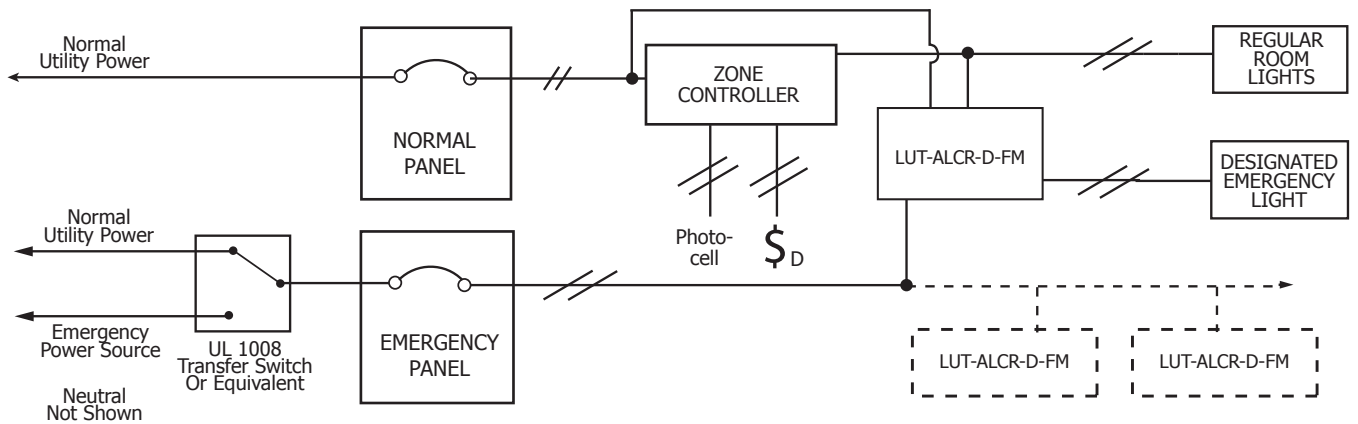
## FEATURES

- Isolated 0-10V relay contact ensures full brightness during utility power interruption, regardless of dimmer model.
- Unique, Patented Automatic Diagnostic  
When the room switch is turned off, the [LUT-ALCR-D-FM](#) will run a 2.5 self-test routine, verifying that the emergency power source was available and that the [LUT-ALCR-D-FM](#), ballast, and lamp(s) are all functioning correctly. This feature eliminates the need for time-consuming and costly manual monthly testing and is approved for this purpose. This also allows the unit to be installed in remote or inaccessible locations, because the unit does not rely on access to its manual test switch.
- Fire Alarm, Remote Test & 0-10V Dimming Option
- Utility & Emergency Power Indicator LED's
- Slim, profile allows mounting in most ballast channels.

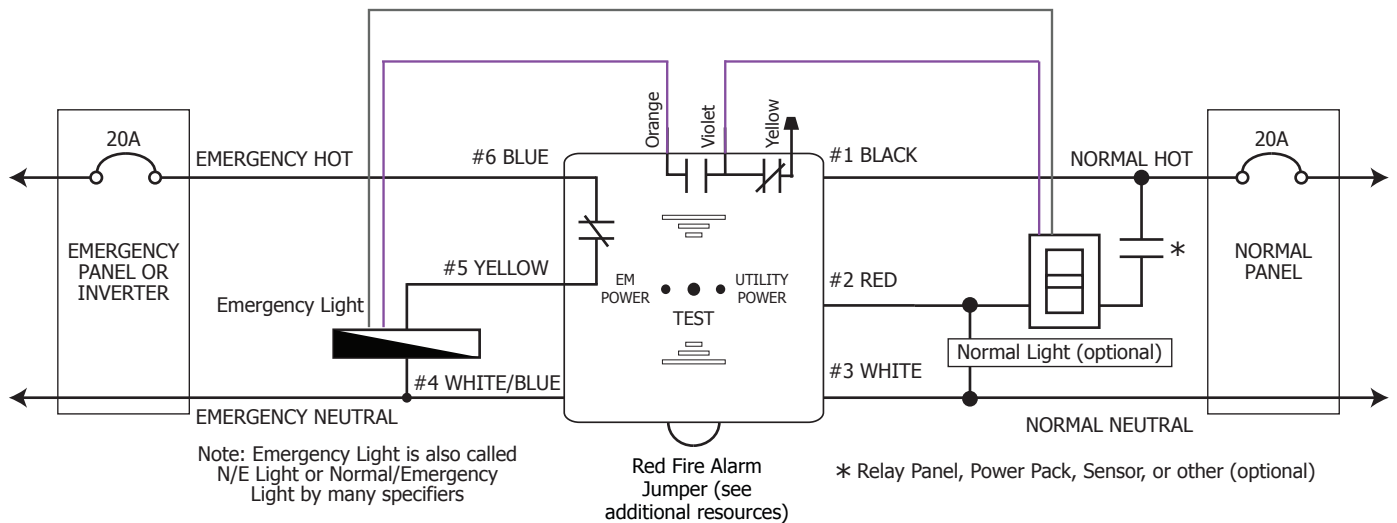


LVS, Inc. 2555 Nicholson Street, San Leandro, CA 94577-4216  
Phone: 510-352-9600 1-800-982-4587 Fax: 510-352-6707  
[www.lvscontrols.com](http://www.lvscontrols.com)

## SINGLE LINE DRAWING



## WIRING DIAGRAM



## SPECIFICATIONS

<b>ELECTRICAL</b>	MODEL NO.	LUT-ALCR-D-FM	<b>MECHANICAL</b>	MOUNTING	Fixture Mount, Panel Mount
	SENSING INPUT	120V - 277V		RATING	UL94-5VA, Damp Location Rated
	LED LOAD RATING	1A (120-277V)		SHIPPING WEIGHT / COLOR	8 oz. / Black
	BALLAST LOAD RATING	5A (120-277V)		TEMPERATURE	32°F - 140°F (0°C - 60°C)
	INCANDESCENT LOAD	360W (120V) / 600W (277V)			
	WARRANTY	5 Year Replacement Warranty		BODY SIZE	125mmx25.4mmx30mm (L x H x W)

Note: The LUT-ALCR-D-FM is intended to control one light fixture, for multiple fixtures please use LUT-ALCR-D

## ORDERING INFORMATION

### LUT-ALCR-D-FM

## ADDITIONAL RESOURCES

- Installation Sheet
  - FAQ Sheet
  - Alternative Wiring Sheet
  - Terms & Conditions/Warranty Information
  - Fire Alarm Tie-In/Override
- <https://www.lvscontrols.com/blog/ul92fai>

LVS, Inc. 2555 Nicholson Street, San Leandro, CA 94577-4216

Phone: 510-352-9600 1-800-982-4587 Fax: 510-352-6707

[www.lvscontrols.com](http://www.lvscontrols.com)