

LUT-ATS-D

Branch Circuit Emergency Lighting Transfer Switch for 2, 3, and 4-Wire Dimmable Loads

Project:

Model No.:

Comments:

APPLICATION

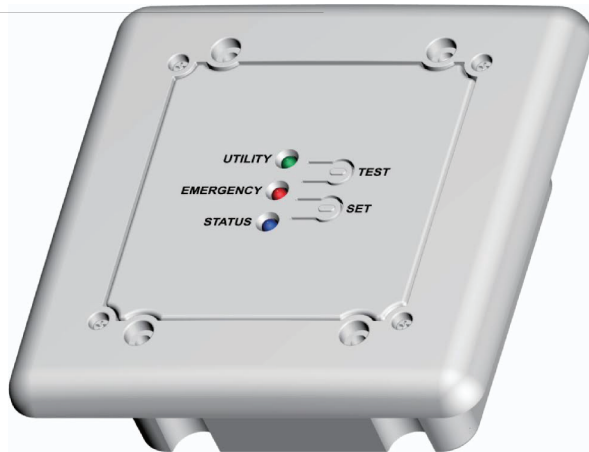
The Model **LUT-ATS-D** is a single zone, silent emergency transfer control with universal dimming capability. It can be used with 2 and 3-wire line voltage dimming systems, as well as 0-10V, DALI, and Lutron EcoSystem.

The **LUT-ATS-D** allows emergency lighting to be switched and dimmed with the normal lighting. In the event of a utility power interruption, the **LUT-ATS-D** will automatically transfer designated emergency fixtures from the dimming control to the emergency power source and bring them to full brightness, regardless of whether the dimming system is in operation or turned off.

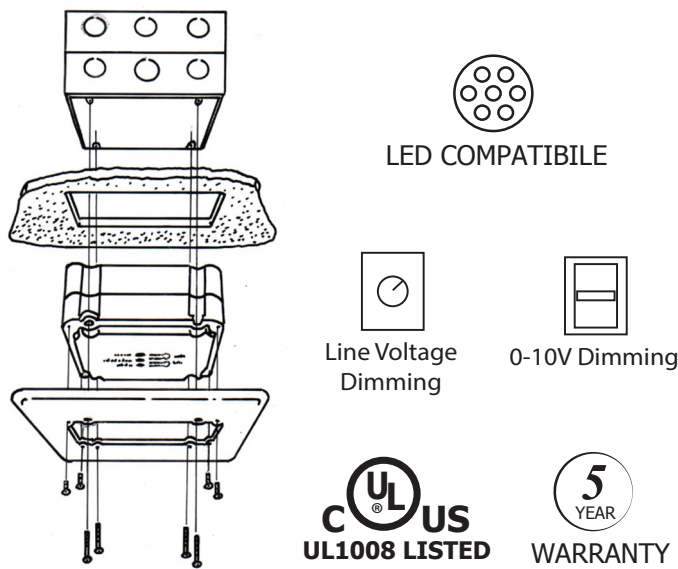
Applications of the **LUT-ATS-D** include designated dimmable emergency **LUT-ATS-D** in public places such as auditoriums, restaurants, conference rooms, theaters, and classrooms.

FEATURES

- Slim, attractive universal mount enclosure allows flush, surface, panel, and box mounting.
- Utility & Emergency Power Indicator LED's
- Integral front mounted test switch
- Voltage Surge Protection
- Includes field-selectable Automatic Testing & Fire Alarm Interface options
- Triple Interlock (electrical, mechanical, and time delay) maximizes safety and reliability of **LUT-ATS-D**, by eliminating arcing and the potential for phase to phase shorts between separate power sources during transfer.
- Oversized 50A rated relay contacts allow high inrush loads to be used safely and reliably. Tested at over 5000 cycles.
- Works with both inverter and generator systems, normally-on and normally-off type.



MOUNTING

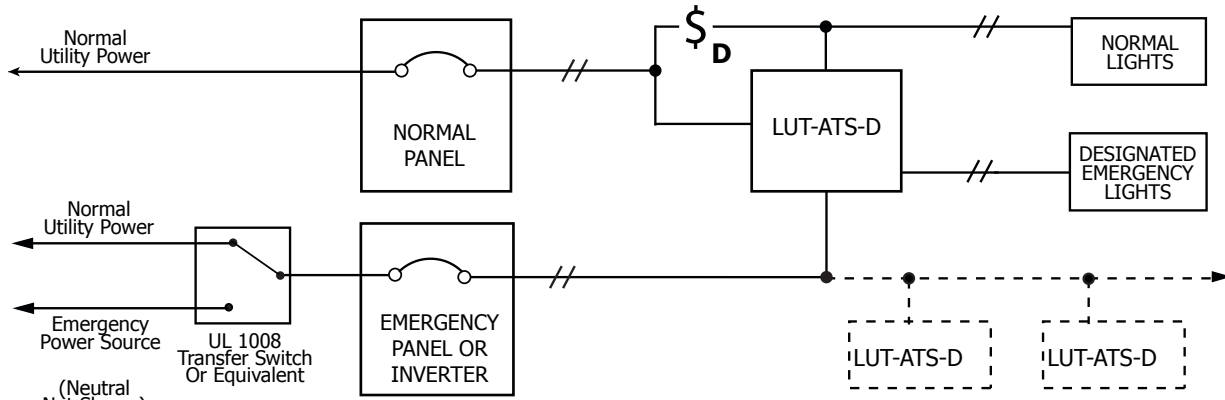


LVS, Inc. 2555 Nicholson Street, San Leandro, CA 94577-4216

Phone: 510-352-9600 1-800-982-4587 Fax: 510-352-6707

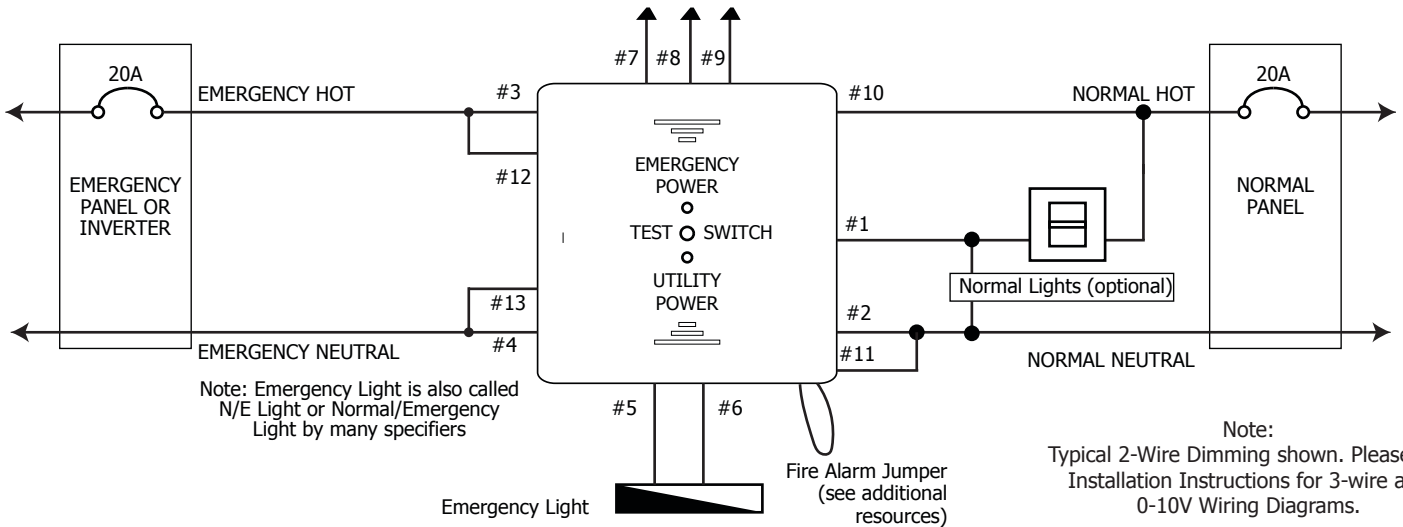
www.lvscontrols.com

SINGLE LINE DRAWING



Note: dimmer may be a stand-alone dimmer, multi-zone dimmer (such as Grafik Eye), or central dimming panel. One is required LUT-ATS-D per dimming zone with emergency lighting.

WIRING DIAGRAM



Note: Emergency Light is also called N/E Light or Normal/Emergency Light by many specifiers

Note: Typical 2-Wire Dimming shown. Please see Installation Instructions for 3-wire and 0-10V Wiring Diagrams.

SPECIFICATIONS

ELECTRICAL	MODEL NO.	LUT-ATS-D	MECHANICAL	MOUNTING	4-11/16" Back-up Box, no plaster ring required
	SENSING INPUT	120V-277V		RATING	UL94V-0
	LOAD RATING	120V - 277V (16A)		SHIPPING WEIGHT/ COLOR	18 oz. / White
	BALLAST LOAD RATING	16A Magnetic/16A Electronic		TEMPERATURE	32°F - 140°F (0°C - 60°C)
	INCANDESCENT LOAD	1920W (120V) / 4432W (277V)		FLUSH MOUNTED SIZE	6" x 6" x 0.5"
	WARRANTY	5 Year Replacement Warranty		BODY SIZE	4" x 4" x 2.3"

ORDERING INFORMATION

LUT-ATS-D

ADDITIONAL RESOURCES

- Installation Instructions
- Theory of Operation & FAQ
- Alternative Wiring Diagrams
- Terms & Conditions/Warranty
- Information Fire Alarm Tie-In/Override
<https://www.lvscontrols.com/blog/ul92fai>