

LUT-SHUNT-D-FM

Shunt Relay for 0-10V and Line Voltage Applications (DPDT)

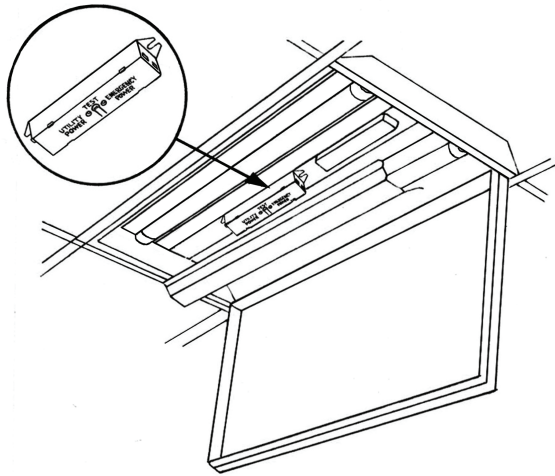
Project:

Model No.:

Comments:



MOUNTING



LED COMPATIBLE



UL924 LISTED



WARRANTY

APPLICATION

LVS is proud to announce its latest addition to the popular Shunt Line. The LUT-SHUNT-D-FM includes a high voltage Form C (N/O+N/C) relay and a low voltage Form A (N/O) relay and is UL924 Listed for emergency lighting control applications.

The LUT-SHUNT-D-FM can bypass both a line voltage switch and a 0-10V dimming signal, ensuring that an emergency fixture illuminates at full brightness during a utility power interruption.

Its slim profile fits most fixture ballast channels or wiring compartments. An integral test switch and LED allow for quick testing and verification of proper function.

FEATURES

The powerful LUT-SHUNT-D-FM includes:

- Dual N/O & N/C
Used for bypassing line voltage and low voltage switching, occupancy sensors or dimmers. Also used as dry contact to signal relay panels or BMS systems or utility power interruption
- Integral test switch and green utility power indicator
- UL924 Listed
- Fire alarm override input

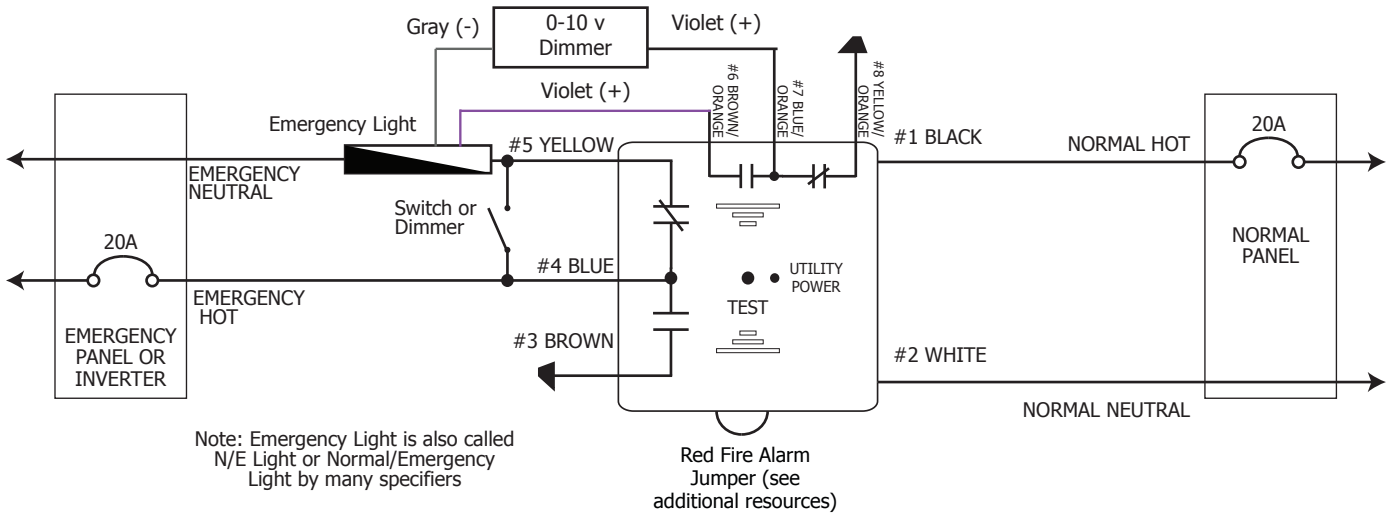


LVS, Inc. 2555 Nicholson Street, San Leandro, CA 94577-4216

Phone: 510-352-9600 1-800-982-4587 Fax: 510-352-6707

www.lvscontrols.com

WIRING DIAGRAM



SPECIFICATIONS

ELECTRICAL	MODEL NO.	LUT-SHUNT-D-FM
	SENSING INPUT	120V - 277V
	LED LOAD RATING	1A (120-277V) (Contact #1)
	BALLAST LOAD RATING	5A (120-277V) (Contact #1)
	INCANDESCENT LOAD	360W (120V) / 500W (277V)
	WARRANTY	5 Year Replacement Warranty
	DC RATING	Contact #1 & #2 may be used for 1A (0-30VDC)

MECHANICAL	MOUNTING	Fixture Mount, Panel Mount
	RATING	UL94V-0A, Damp Location Rated
	SHIPPING WEIGHT / COLOR	8 oz. / Black
	TEMPERATURE	32°F - 140°F (0°C - 60°C)
	SIZE	125mmx25.4mmx30mm" (L x H x W body) Mounting feet approx 145 mm on center

Note: The LUT-SHUNT-D-FM is intended to control one light fixture, for multiple fixtures please use LUT-SHUNT-D

ORDERING INFORMATION

LUT-SHUNT-D-FM

ADDITIONAL RESOURCES

- Installation Sheet
- FAQ Sheet
- Alternative Wiring Sheet
- Terms & Conditions/Warranty Information
- Fire Alarm Tie-In/Override

<https://www.lvscontrols.com/blog/ul92fai>

LVS, Inc. 2555 Nicholson Street, San Leandro, CA 94577-4216

Phone: 510-352-9600 1-800-982-4587 Fax: 510-352-6707

www.lvscontrols.com