



RTS-24 Installation Instructions

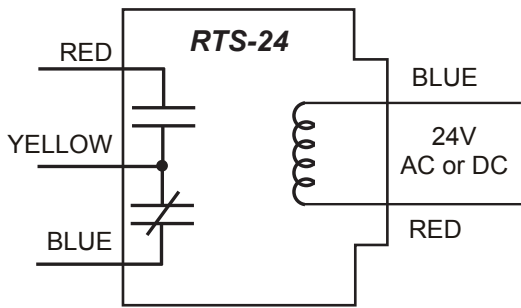
Remote Test & Switching Control

Applications

The unique LVS RTS-24 is a flexible and powerful low voltage control & switching relay. It accepts 24V AC or DC input & switches up to 20A, including ballasts, LED's, receptacles and more. The RTS-24 has the smallest size of any field installable 20A relay and has been UL924 Listed, making it suitable for the most critical of applications.

Electrical Specifications

Input: 24V AC or DC , 36mA
Load: 120 volts or 277 volts AC 60 Hz.
20 A Ballast, 1800W Tungsten
20A General Use / Plug Load Rated
UL924 Listed
Relay Output available in 3 versions:
N/O (RTS-24-2), N/C (RTS-24-1), Form C (RTS-24)

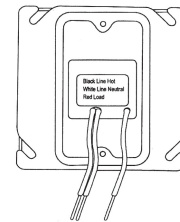
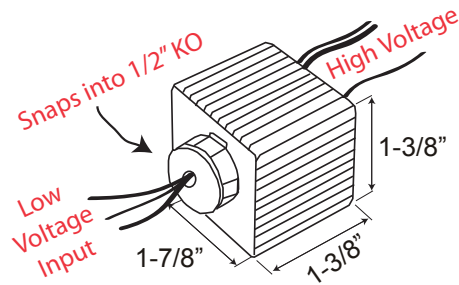


5 YEAR WARRANTY



UL924 LISTED
EMERGENCY LIGHTING
EQUIPMENT
73PK

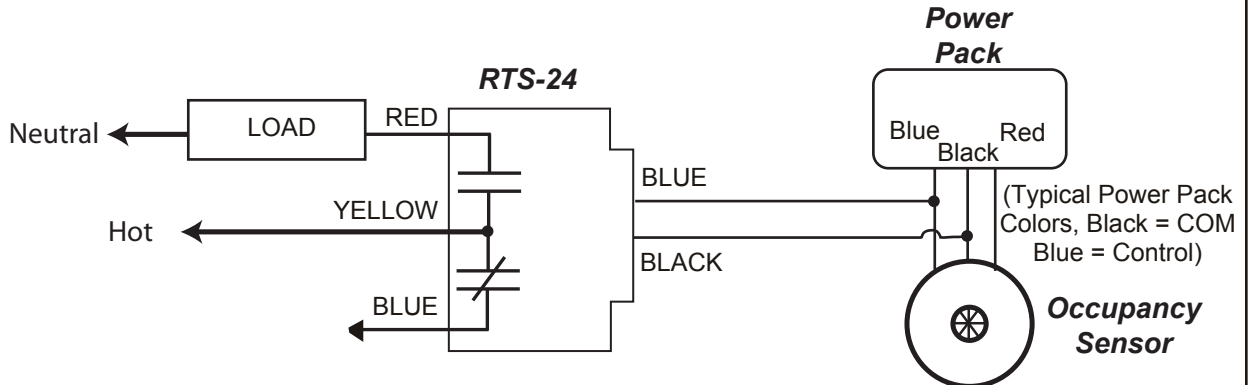
Mechanical Specifications



Can be K.O. mounted in any junction box

Application #1: Slave Relay

The RTS-24 can be used to control a receptacle (plug load) or lighting circuit using a 24V signal, such as from an occupancy sensor with power pack or transformer



Note: Do not exceed power pack/transformer maximum output. Each RTS-24 requires 36 mA. Typical sensor requires 50mA. Typical power pack rating is 100mA, 150mA or 225mA

LVS, Inc. 2555 Nicholson Street, San Leandro, CA 94577-4216

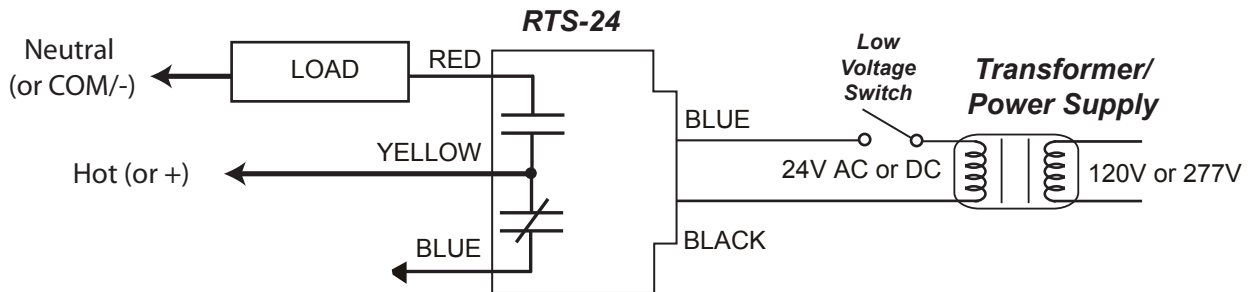
Phone: 510-352-9600 1-800-982-4587 Fax: 510-352-6707 Web: www.lvscontrols.com



RTS-24 Installation Instructions Remote Test & Switching Control

Application #2 Remote Low Voltage Switching

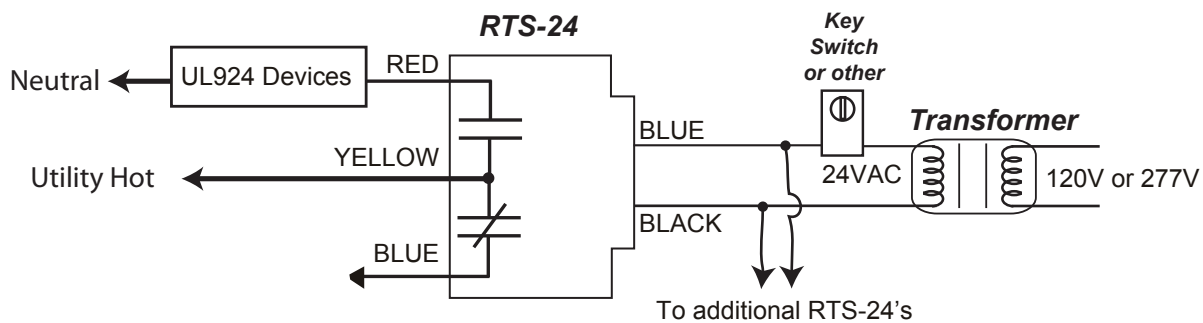
The RTS-24 can be used with an external transformer to wire switch legs using low voltage, without conduit, saving time and material. An LVS TR-100 power supply is one possible transformer and provides up to 225mA (enough for 6 RTS-24)



Note: Do not exceed power pack/transformer maximum output. Each RTS-24 requires 36 mA.

Application #3 Emergency Lighting Testing

The RTS-24 can be used to remotely test emergency lighting (UL924) equipment including inverters, battery packs, transfer switches, wall packs, etc. Together with an RTS-24 and transformer, a single key switch can test an entire emergency lighting system.



Theory: The RED on RTS-24 feeds the Utility Hot Input on UL924 devices. If the key switch is turned, utility power is disconnected by the RTS-24 relay, sending UL924 devices into emergency mode and meeting testing requirements, when the key switch is returned to normal, utility power is re-connected and all UL924 devices go back to charge or stand-by mode.

Note: Do not exceed power pack/transformer maximum output. Each RTS-24 requires 36 mA.