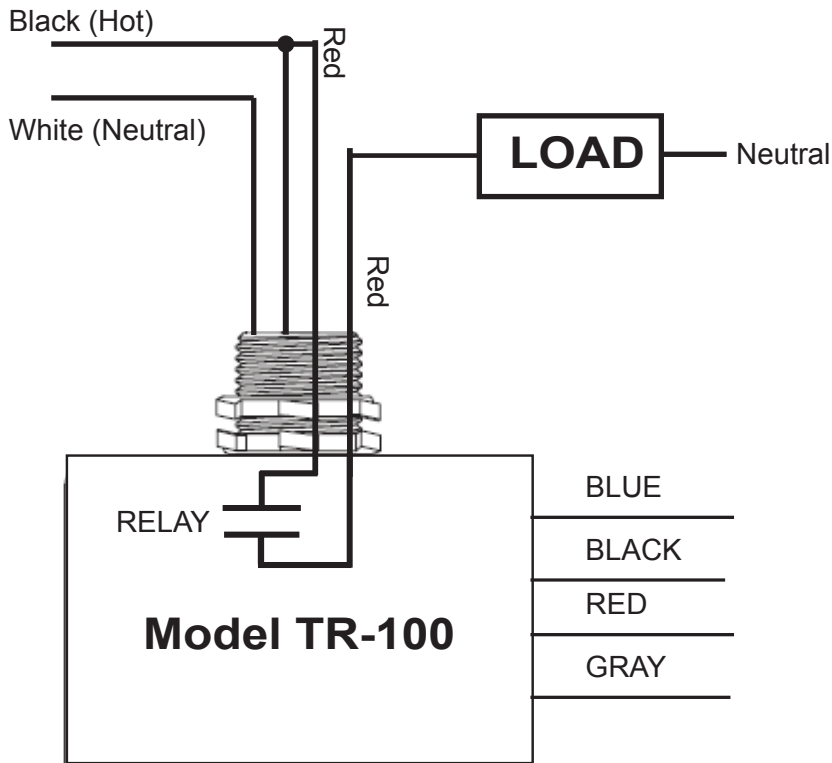
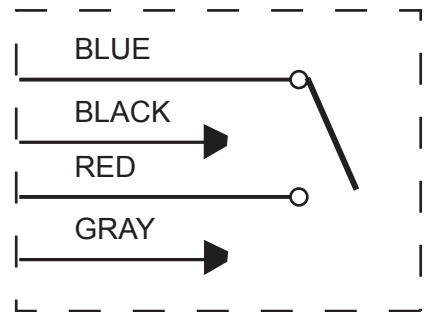


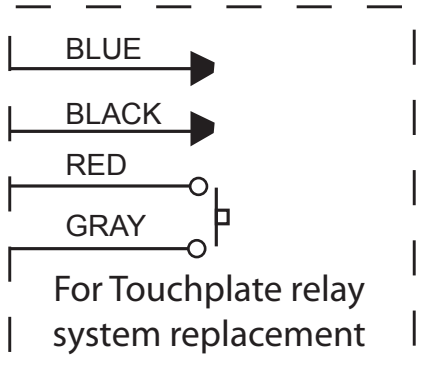
Model TR-100 Installation Instructions



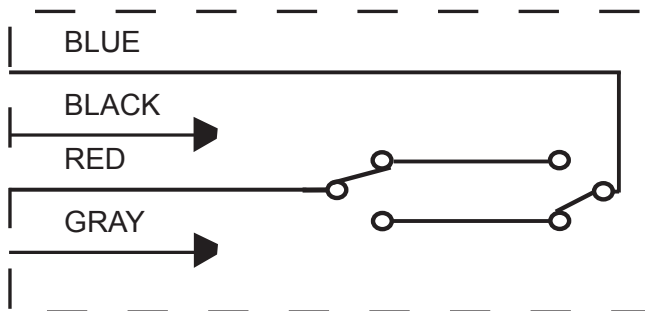
Regular Wall Switch or fire alarm contact



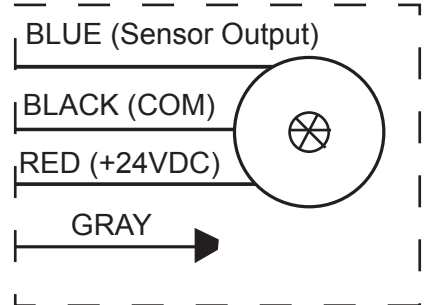
Momentary Switch



Regular 3-Way Switches



Occupancy Sensor



Installation

In order to install the TR-100 in accordance with national/local code requirements, a qualified electrician should review and understand the installation instructions: Check voltage and current requirements. Review wiring diagram and connect wires, one group at a time, in accordance with the numeric identification.

Nipple mounts outside standard junction box - high voltage wiring inside box, low voltage wiring outside of box

Specifications

Input: 120,230,277VAC 50/60Hz Output: 24VDC , 250mA, Class 2
 Load: 20A at 120/230/277 VAC, 1 HP at 120-240 VAC
 UL2043 Plenum Rated Enclosure



LVS, Inc. 2555 Nicholson St., San Leandro, CA 94577
 Tel: 1-800-982-4587 Fax: 1-510-352-6707
www.lvcontrols.com