



# EPC - DMX

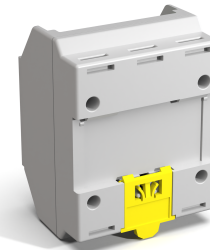
Emergency Power Control for DMX Controlled Loads

In the past, emergency lights were kept on 24 hours a day to meet life safety codes. Now, you can use a UL 924 listed Emergency Power Control, Model EPC-DMX, to convert normal light fixtures into approved emergency lights. The EPC-DMX saves energy and money while ensuring compliance with both life safety and energy codes.

During normal operation, emergency fixtures can be controlled by a DMX lighting control system.

During a utility power interruption, the EPC-DMX automatically bypasses the normal lighting controls, turning the emergency lights to a preset scene, regardless of previous settings.

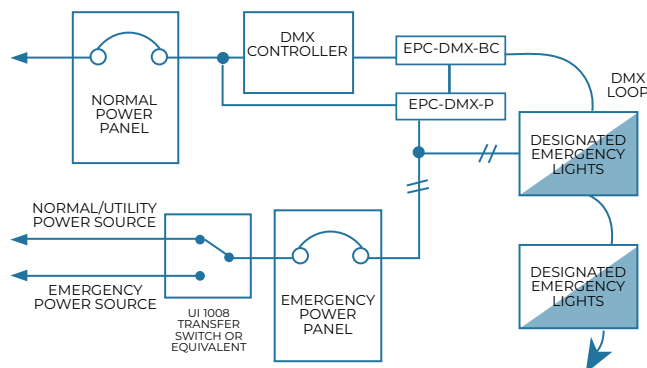
The EPC-DMX can be mounted in a panel or junction box.



## PRODUCT FEATURES

- Two-part construction for safe installation:
  - Line voltage sensing is isolated from low voltage DMX control component.
- Automatic Diagnostics
  - Field-selectable test options including integral manual test, remote test, and automatic monthly testing.
- Fire Alarm override input
- Utility & Emergency Power Indicator LED's
- Memorize & Recall feature
  - Set the desired emergency scene and it will be recalled automatically during a power interruption.
- 3 Phase Sensing
  - Monitor 3 separate circuits for power loss conditions with a single unit.
- Integral Opto-splitter : Includes 3 opto-splitters
- Small size permits mounting in standard electrical junction boxes and panels

## SINGLE LINE DRAWING



# WIRING DIAGRAM

Wiring Diagram #1 (Suggested): During normal operation, the DMX controller can control emergency lighting. During emergency operation, the DMX controller recalls a pre-recorded scene to the emergency lighting.

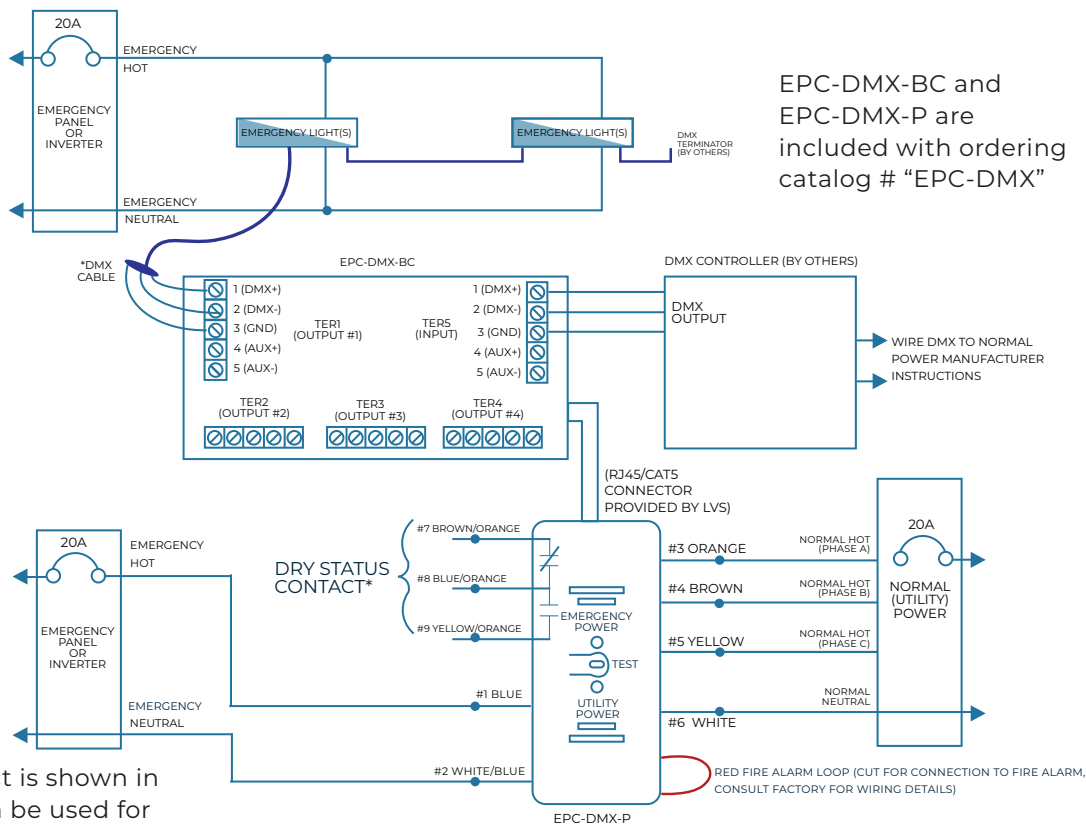
**\*DMX CABLE NOTE:**  
Use Belden 9729 Cable or equivalent for DMX wiring.

**NOTE:** AUX+/AUX- outputs are optional. No connection required.

**NOTE:** OUTPUT #2,3,4 are optically isolated output channels. At all times they will duplicate the state of OUTPUT #1 terminal block. Consult factory for further information.

**Note:** Dry status contact is shown in emergency state. It can be used for BMS and other remote control purposes. If unused, cap #7,8,9 leads

EPC-DMX-BC and EPC-DMX-P are included with ordering catalog # "EPC-DMX"



# SPECIFICATIONS

Model Number	EPC-DMX
<b>Electrical Data</b>	
Sensing Input	120 - 277V (3 Phase)
Warranty	5 Year Limited Warranty
<b>Mechanical Data</b>	
Mounting	Junction Box Mount, Panel Mount (DIN)
Rating	UL94-5VA
Shipping Weight/Color	12 oz. / Black (pt 1) 12 oz. / White (pt 2)
Temperature	0°C - 60°C (32°F - 140°F)
Dimensions EPC-DMX	EPC-DMX-BC (PART 1) : 3" x 4" x 2.5" EPC-DMX-BC (PART 2) : 1.7" x 3" x 1.75"

