

EPC

Emergency Power Controls

Applications

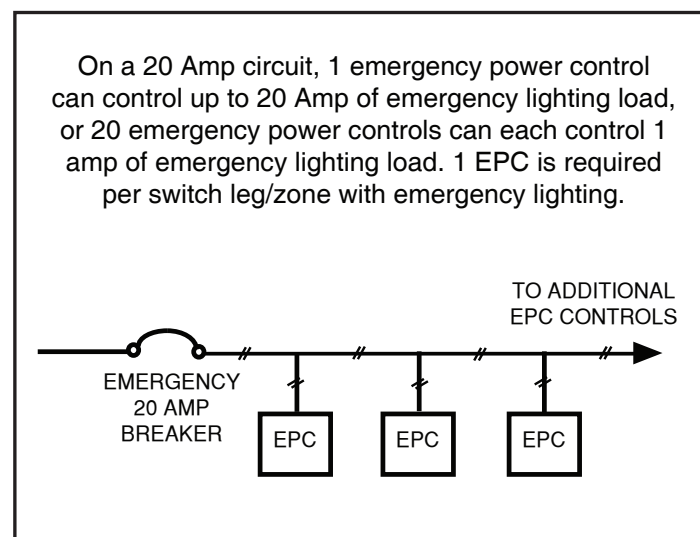
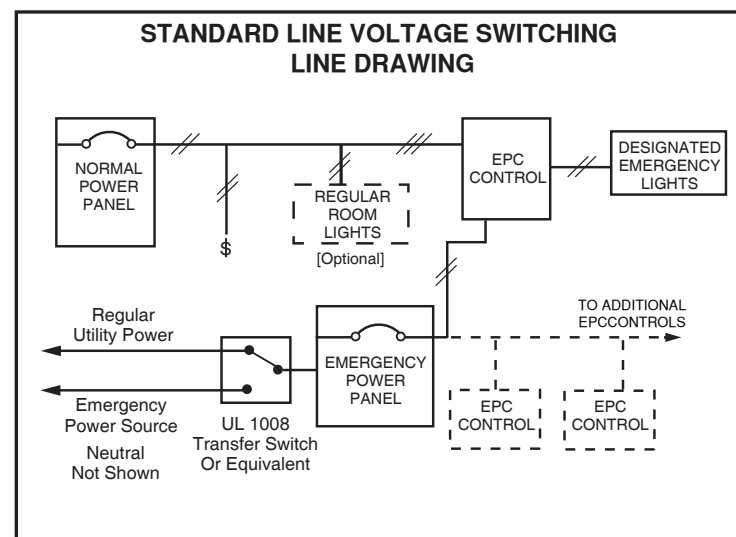
In the past, all emergency lights had to be on 24 hours a day to meet safety codes. Now, LVS listed emergency power controls (EPC's) can convert & control up to 20A of normal lighting into approved emergency lighting.

When normal power is available, EPC's allow designated emergency lights to be switched or dimmed using the same control as normal lights in the same area. Upon loss of power, EPC's will switch designated emergency luminaires on, at full brightness, regardless of switch or dimmer position, until normal power is restored.

LVS is proud to be the leading manufacturer of UL924 and UL1008 listed emergency lighting controls with a complete line of products and unique features to handle every application. LVS EPC's ensure code compliance, safety, and energy conservation for your lighting control systems.



Single Line Drawings



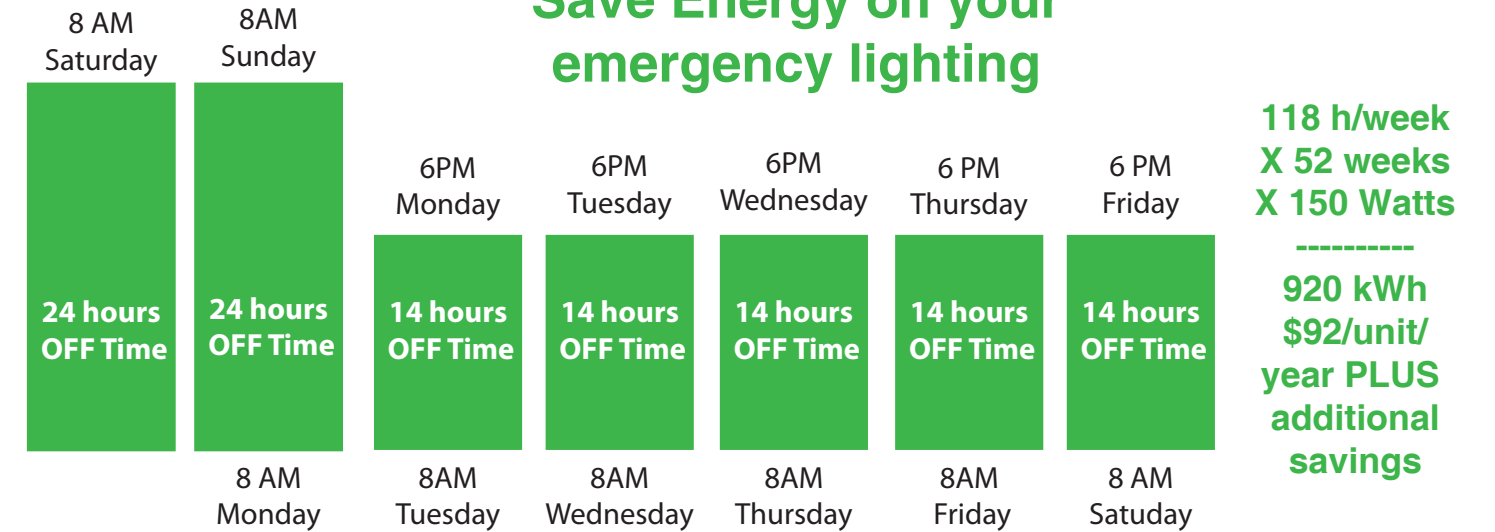
Email TechSupport@LVSControls.com
for a AIA approved
UL924 Training Webinar

5 YEAR
WARRANTY



UL924 &
UL1008
LISTED

Save Energy on your emergency lighting



Emergency lighting is required in many areas including hallways and staircases at an average of 1 footcandle. In the past, these lights were designated “nightlights” and left on 24 hours a day, 7 days a week. Using an EPC to control these lights with a switch or lighting control system can save substantial energy over the course of a building’s life.

Model	Application/Load Type	Status LED's	Self Test / Fire Alarm	Mounting
EPC-2	Switched loads	● ●	✓ / ✓	Universal (flush, recessed, plenum, fixture, panel)
EPC-2-D	0-10V dimmed loads	● ●	✓ / ✓	Universal
EPC-A-1	Switched loads	●	✓ / X	Fixture/Recessed
EPC-D-F-ATS	0-10V and line voltage dimmed loads	● ● ●	✓ / ✓	Surface/Flush
RRU-UNV	Switched loads (shunt - dedicated EM switch req'd)	●	X / X	Universal
RRU-X-UNV	0-10V dimmed loads (shunt - ideal for wireless controls)	●	X / X	Universal
EPC-DMX	DMX loads (theatrical, architectural, tunable white)	● ●	✓ / ✓	DIN Rail/Panel

All products carry a 16A or 20A rating. EPC-2 and RRU series are available in 5A slim fixture mount package. Add “-FM” to part number.