

# RRU-UNV-FM

Shunt Relay for 0-10V and Line Voltage Applications (SPDT)

Project:

Model No.:

Comments:



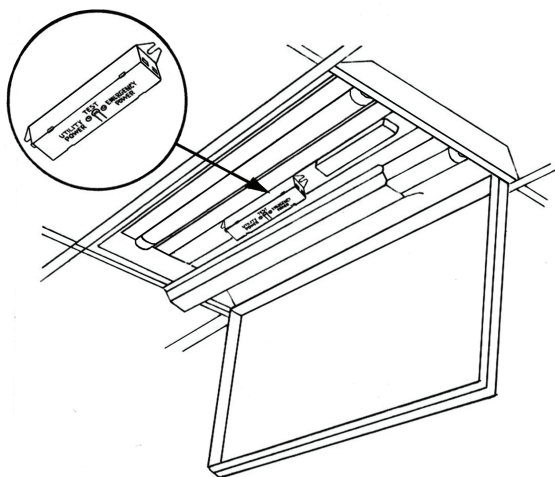
## APPLICATION

LVS is proud to announce its latest addition to the popular Shunt Line. The RRU-UNV-FM includes a 3A rated Form C (N/O+N/C) relay and is UL924 Listed for emergency lighting control applications.

The RRU-UNV-FM can bypass either a line voltage switch or a low voltage dimming signal (such as DALI or 0-10V), ensuring that an emergency fixture illuminates at full brightness during a utility power interruption.

Its slim profile fits most fixture ballast channels or wiring compartments. An integral test switch and LED allow for quick testing and verification of proper function.

## MOUNTING



## FEATURES

The powerful RRU-UNV -FM includes:

- N/O & N/C Dry Contact  
Used for bypassing line voltage and low voltage switching, occupancy sensors or dimmers. Also used as dry contact to signal relay panels or BMS systems or utility power interruption
- Integral test switch and green utility power indicator
- UL924 Listed



LED COMPATIBLE



UL924 LISTED



WARRANTY

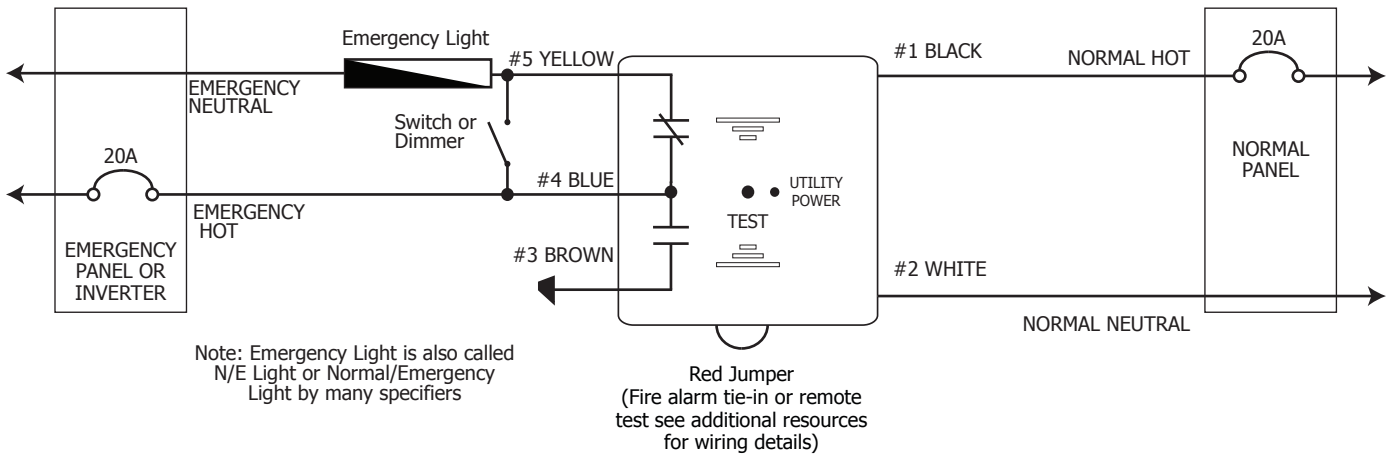


LVS, Inc. 2555 Nicholson Street, San Leandro, CA 94577-4216

Phone: 510-352-9600 1-800-982-4587 Fax: 510-352-6707

www.lvscontrols.com

# WIRING DIAGRAM



# SPECIFICATIONS

<b>ELECTRICAL</b>	MODEL NO.	RRU-UNV-FM
	SENSING INPUT	120V - 277V
	LED LOAD RATING	1A (120-277V)
	BALLAST LOAD RATING	5A (120-277V)
	INCANDESCENT LOAD RATING	360W (120V) / 500W (277V)
	WARRANTY	5 Year Replacement Warranty
	DC RATING	May be used for 1A (0-30VDC)

<b>MECHANICAL</b>	MOUNTING	Fixture Mount, Panel Mount
	RATING	UL94V-0A, Damp Location Rated
	SHIPPING WEIGHT / COLOR	8 oz. / Black
	TEMPERATURE	32°F - 140°F (0°C - 60°C)
	SIZE	125mmx25.4mmx30mm" (L x H x W body) Mounting feet approx 145 mm on center

Note: The RRU-UNV-FM is intended to control one light fixture, for multiple fixtures please use RRU-UNV

# ORDERING INFORMATION

## RRU-UNV-FM

# ADDITIONAL RESOURCES

- Installation Sheet
- FAQ Sheet
- Alternative Wiring Sheet
- Terms & Conditions/Warranty Information
- Fire Alarm Tie-In/Override  
<https://www.lvscontrols.com/blog/ul92fai>