

RRU-UNV

Shunt Relay for Line Voltage and DALI Applications (SPDT)

Project:

Model No.:

Comments:



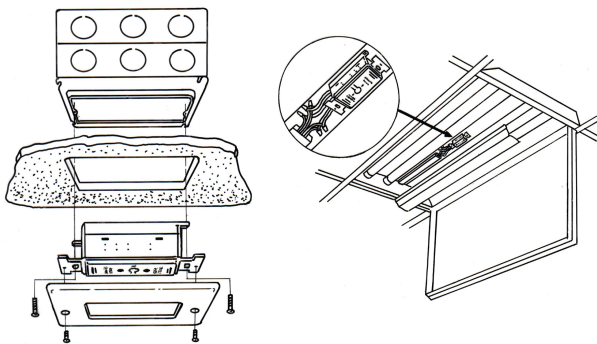
APPLICATION

LVS is proud to announce its latest addition to the popular Shunt Line. The RRU-UNV includes a 20A rated high voltage Form C (N/O+N/C) relay and is UL924 Listed for emergency lighting control applications.

The RRU-UNV can bypass a line voltage switch or dimmer, ensuring that an emergency fixture illuminates at full brightness during a utility power interruption. It can also be used to open or short a DALI control signal.

Its small size makes it ideal for junction box mounting in wireless or other modern lighting control systems. An integral test switch and LED allow for quick testing and verification of proper function.

MOUNTING



FEATURES

The powerful RRU-UNV includes:

- 20A Rated N/O & N/C
Used for bypassing line voltage switching, occupancy sensors or dimmers. Also used as dry contact to signal relay panels or BMS systems or utility power interruption
- Can be used to bypass both traditional and self-powered DALI systems
- Integral test switch and green utility power indicator
- UL924 Listed



LED COMPATIBLE



UL924 LISTED



WARRANTY

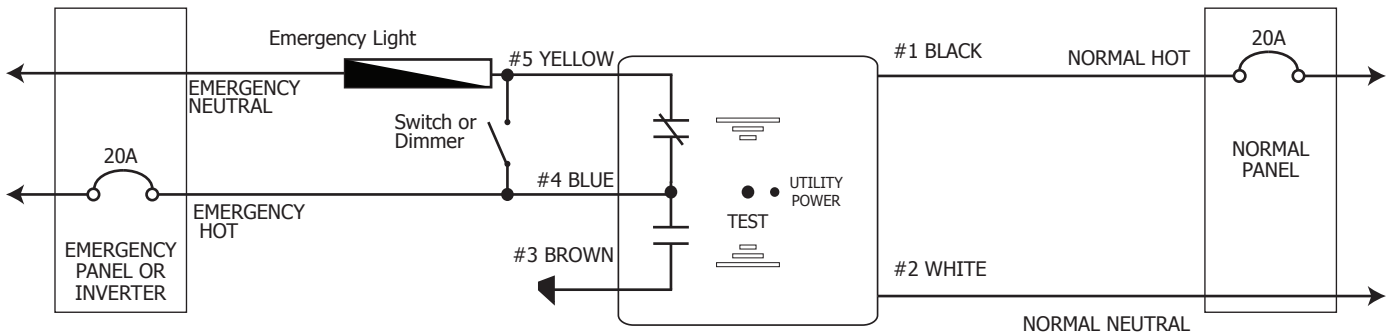


LVS, Inc. 2555 Nicholson Street, San Leandro, CA 94577-4216

Phone: 510-352-9600 1-800-982-4587 Fax: 510-352-6707

www.lvscontrols.com

WIRING DIAGRAM



Note: Emergency Light is also called N/E Light or Normal/Emergency Light by many specifiers

SPECIFICATIONS

ELECTRICAL	MODEL NO.	RRU-UNV
	SENSING INPUT	120V - 277V
	LOAD RATING	120V - 277V (20A)
	BALLAST LOAD RATING	20A (120-277V)
	INCANDESCENT LOAD	1200W (120V) / 1500W (277V)
	WARRANTY	5 Year Replacement Warranty
	LOAD	Contact #1 20A (120-277V)

MECHANICAL	MOUNTING	Universal (flush, panel, fixture or junction box mount)
	RATING	UL94V-0A, Plenum Rated, Damp Location Rated
	SHIPPING WEIGHT / COLOR	12 oz. / White
	TEMPERATURE	32°F - 140°F (0°C - 60°C)
	SIZE	1.7" x 3" x 1.2" (W x H x D body)

ORDERING INFORMATION

RRU-UNV

ADDITIONAL RESOURCES

- Installation Sheet
- FAQ Sheet
- Alternative Wiring Sheet
- Terms & Conditions/Warranty Information