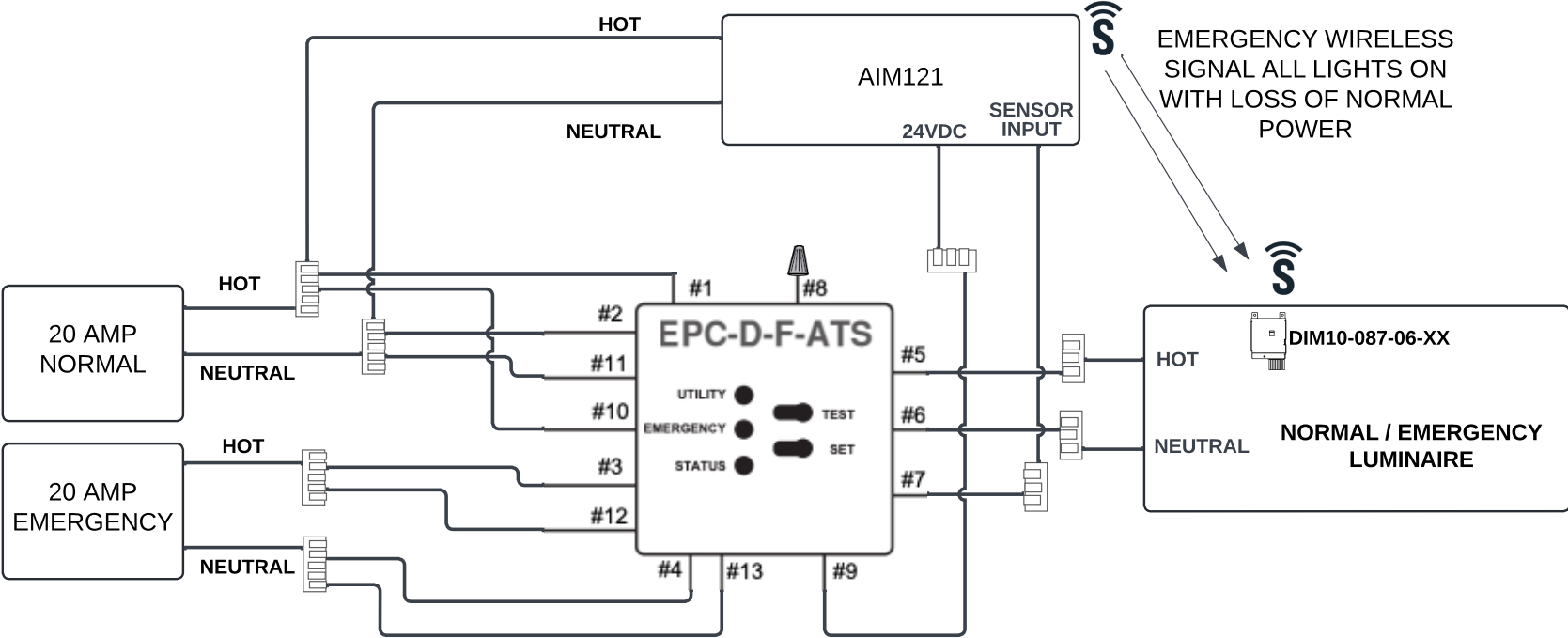



UL1008 Automatic Transfer Switch using LVS EPC-D-F-ATS and SimplySnap Wireless Control

<https://www.lvscontrols.com/products-20230811/p/epc-d-f-ats>

Note: Other fixtures fed from the Emergency Panel will be driven to the Emergency light level upon loss of the sensed normal power circuit. There will be other circuits that are not fed through the LVS 1008 relay, all other lights fed on other Emergency circuits will be controlled to turn on via a wireless command from the AIM121.



Name: UL1008 SimplySnap AIM121	Date: 04/17/2024	Drawn: DAVIDSON	Notes:	Synapse Wireless  SYNAPSE
Project: SimplySNAP Emergency	Scale: NA	Rev: A		